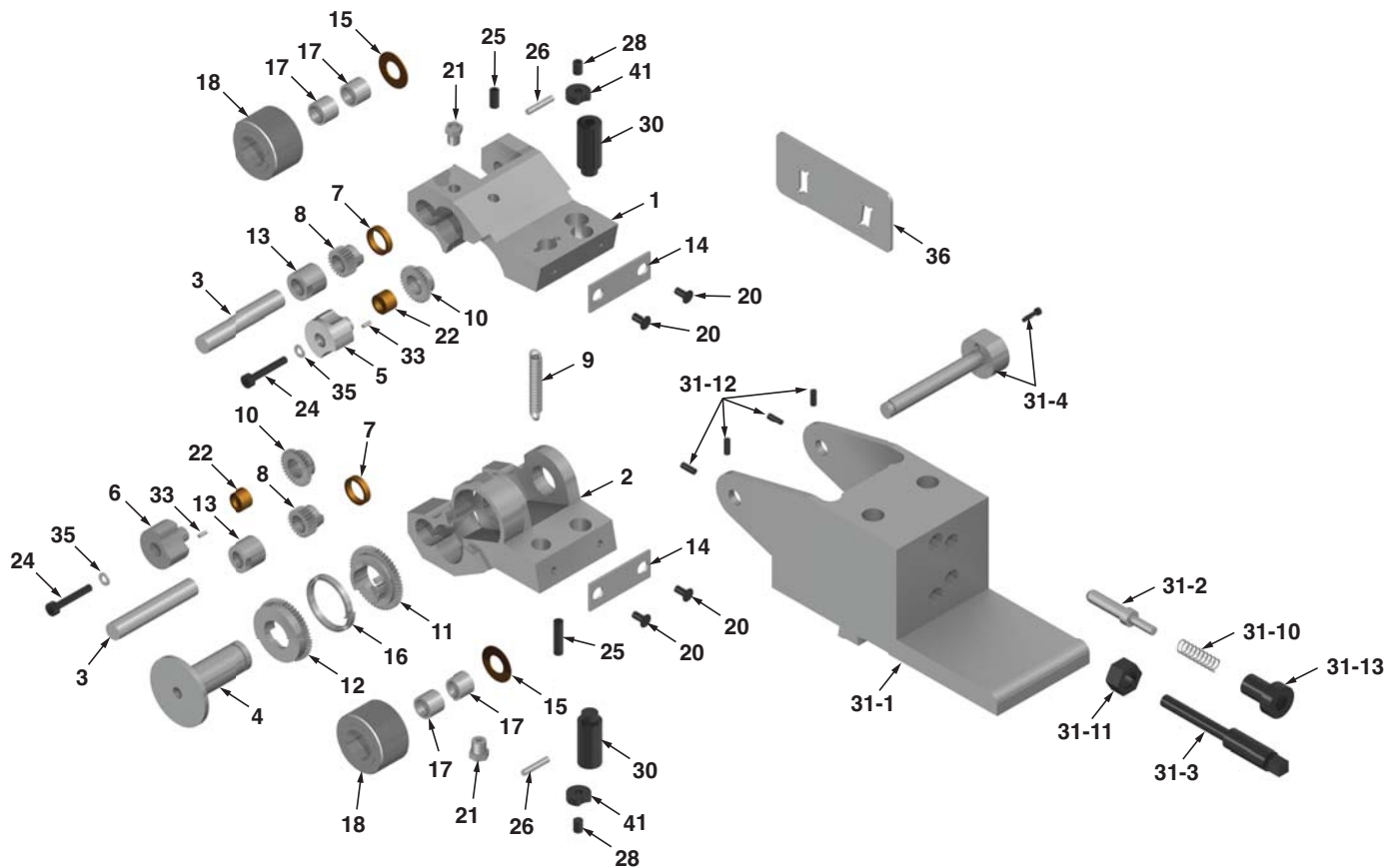


RT-20 - Tangential Head

Component Parts Breakdown



Item #	EDP	Description	Qty
1	20-001	Upper Arm	1**
2	20-002	Lower Arm	1
3	20-003	Shaft	2
4	20-004	Center Shaft	1
5	20-005	Bushing	1
6	20-006	Bushing	1
7	20-007	Bearing Bushing	2
8	20-008	Pinion	2
9	20-009	Tension Spring	1
10	20-010	Gear w/Bushing	2
11	20-011	Gear (assy w/12 & 16 only)	0**
12	20-012	Gear w/Coil Spring	1
13	20-013	Carbide Bushing	2
14	20-014	Plate	2

Item #	EDP	Description	Qty
15	20-015	Thrust Washer	2
16	20-016	Coil spring (assy w/11 & 12)	1
17	20-017	Bushing	4
20	20-020	Flat Head Scr.	4
21	20-021	Grease Nipple	2
22	20-022	Bearing Bushing	2
24	20-024	Cap Screw	2
25	20-025	Cap Screw	2
26	20-026	Straight Pin	2
27	20-027	Set Screw	1
28	20-028	Set Screw	2
30	20-030	Adj. Set Screw	2
31	20-031	Attachment Holder Complete	1▼
31-1	20-031-1	Housing	1▼

Item #	EDP	Description	Qty
31-2	20-031-2	Spring Loded Bolt	1
31-3	20-031-3	Stop Bolt	1
31-4A	20-031-4A	Bolt	1
31-4B	20-031-4B	Bolt	1
31-10	20-031-10	Thrust Spring	1
31-11	20-031-11	Hex Nut	1
31-12	20-031-12	Set Screw	2
31-13	20-031-13	Cap Screw	1
32	20-032	Setting Gauge	1▼
33	20-033	Slotted Pin	2
35	20-035	Schnorr Clip	2
36	20-036	Sheet Metal Gauge	1
41	20-041	Lock Washer	2

Sold as an assembly only

"(#1 & #2 Arm Assy) (#11,12 & 16 gear w/Coil Spring Assy)"

▼ Per Application



RSVP Tooling, Inc.

Toll Free: 888-289-7787 • Direct: 815-725-3310

Fax: 815-725-3391 • Email: sales@rsvptooling.com

www.rsvptooling.com