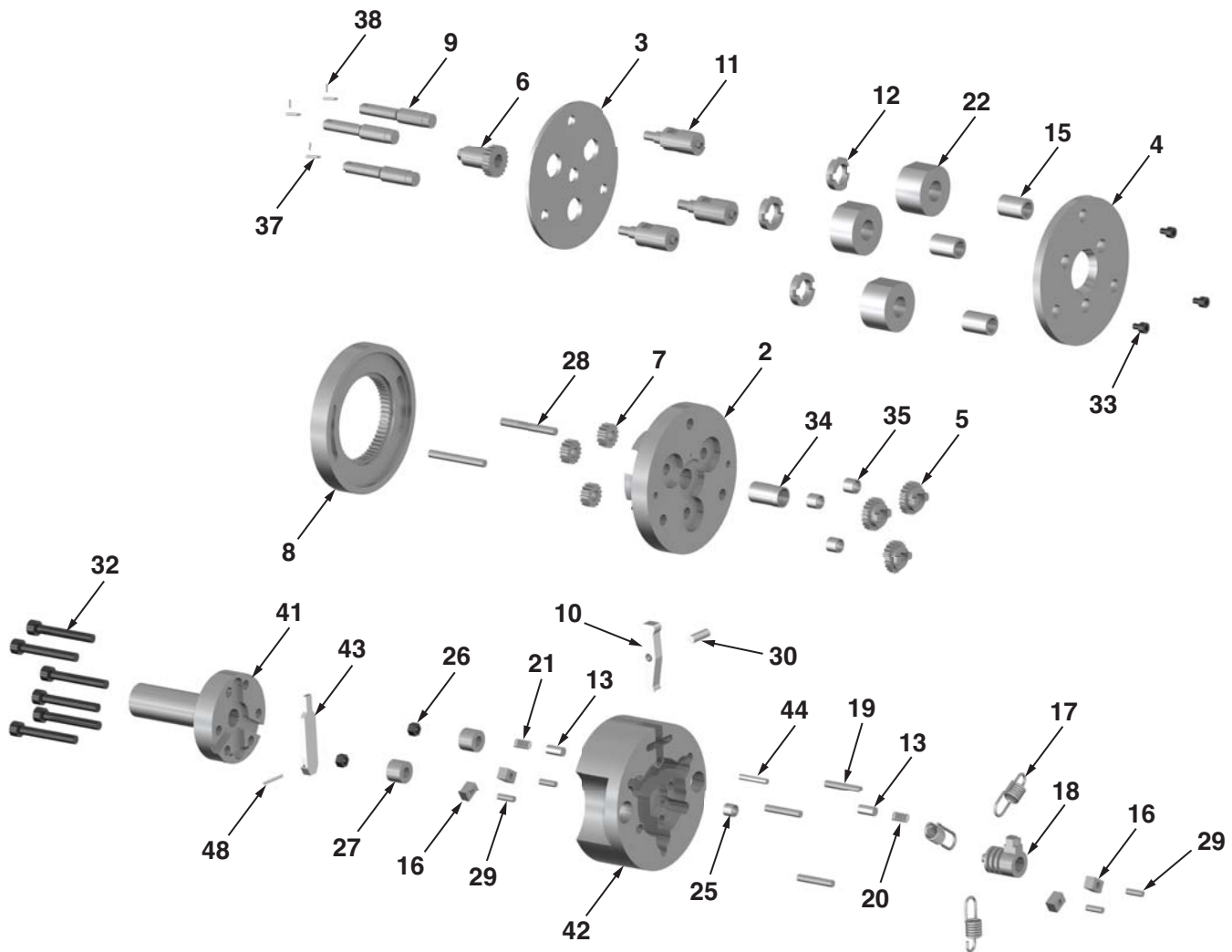


RE-10 - Radial Head

Component Parts Breakdown



Ref	Qty	Description	EDP
2	1	Drive Gear Plate	10-002
3	1	Cover Plate	10-003
4	1	Front Plate	10-004
5	3	Synchronizing Gear w/Bushing	10-005
6	1	Center Gear	10-006
7	3	Adjusting Gear	10-007
8	1	Gear Rim	10-008
9	3	Eccentric Spindle	10-009
10	1	External Trip Release Lever	10-010
11	3	Spacer Pin	10-011
12	3	Drive Plate	10-012
13	2	Coupling Pin	10-013
15	3	Bushing	10-015
16	4	Fitting Key	10-016

Ref	Qty	Description	EDP
17	1	Tension Spring (3 pcs.)	10-017
18	1	Clutch Stop	10-018
19	3	Pin	10-019
20	1	Pressure Spring, Heavy	10-020
21	1	Pressure Spring, Light	10-021
22	3	Thread Roll (see chart for size and EDP)	
25	1	Bushing	10-025
26	2	Hex Nut	10-026
27	2	Washer	10-027
28	2	Stud	10-028
29	4	Pin	10-029
30	1	Pin	10-030
32	6	Cap Screw	10-032
33	3	Cap Screw	10-033

Ref	Qty	Description	EDP
34	1	Bushing	10-034
35	3	Bushing - see Item 5	10-035
37	3	Fitting Key	10-037
38	3	Pin	10-038
41	1	Shank 3/4	10-041
41A	1	Shank 1"	10-041A
41B	1	Shank 1-1/4	10-041B
41C	1	Shank 20mm	10-041C
41D	1	Shank 25mm	10-041D
41E	1	Shank 30mm	10-041E
41F	1	Shank 32mm	10-041F
42	1	Spring Housing	10-042
43	1	Internal Trip Release Lever	10-043
44	1	Pin	10-044
48	1	Pin	10-048



RSVP Tooling, Inc.

Toll Free: 888-289-7787 • Direct: 815-725-3310

Fax: 815-725-3391 • Email: sales@rsvptooling.com

www.rsvptooling.com