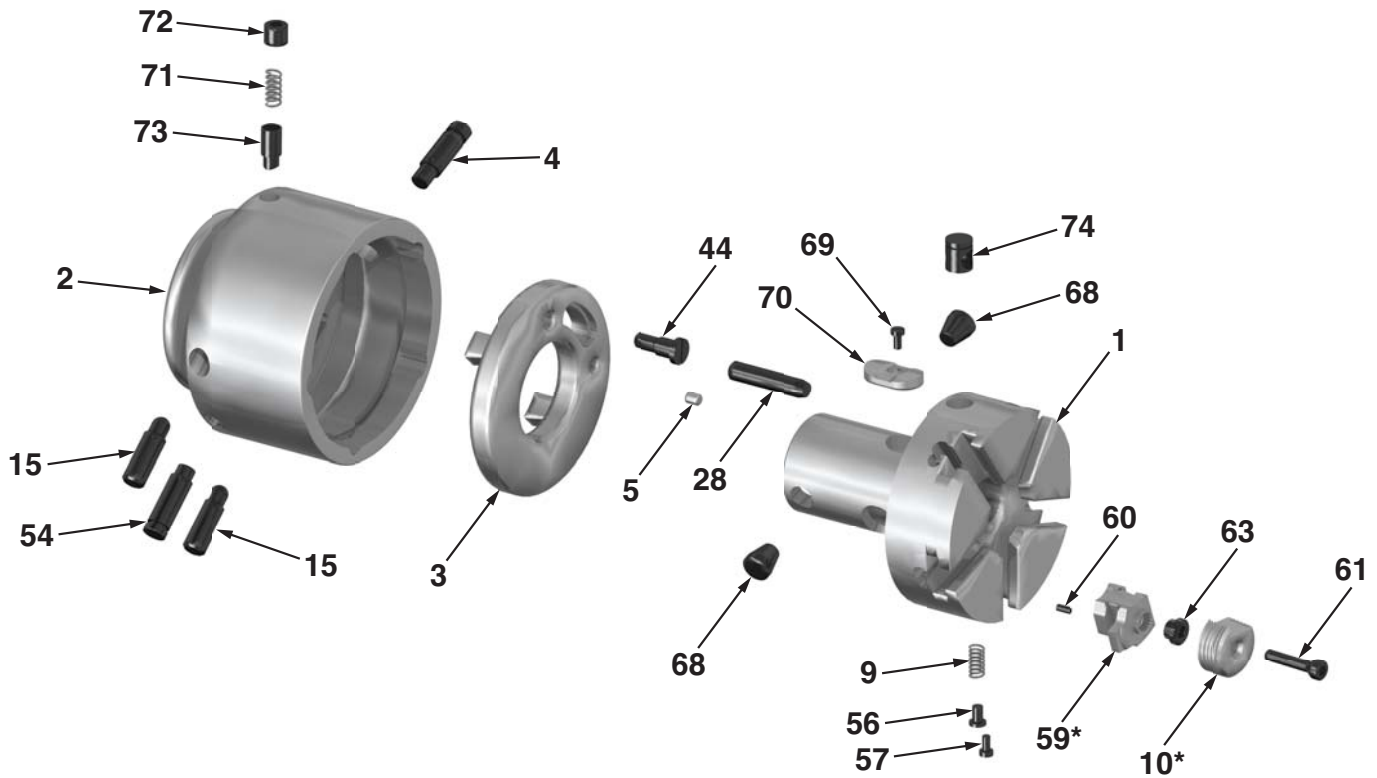


DRF - Circular Chaser Head

Component Parts Breakdown



Part#	Description	Unit Reqd	13/16	1"	1-5/8"	2-3/8"
			EDP No.	EDP No.	EDP No.	EDP No.
DRF-1A	Body assembly	1	2914	2905	2923	2934
DRF-2A	Cup assembly	1	2915	2906	2924	2935
DRF-3A	Adjusting plate assembly	1	2913	2907	2921	2933
DRF-4	Retaining screw	1	3028	3087	3028	3032
DRF-5	Stop pin in DRF-3A	1	3029	3029	3029	3029
DRF-9	Chaser spring	5	3233	3233	3244	3244
DRF-9HD	Chaser spring HD	5	3227	3227	3240	3240
DRF-15	Adjusting screw DRF-2A	2	3030	3027	3031	3033
DRF-28	Guide pin DRF-3A	1	3099	3100	3157	3157
DRF-44	Adjusting plate screw	1	3037	3037	3037	3037
DRF-54	Chaser locking screw	1	3044	3163	3044	3032
DRF-56	Spring plunger/DRF-9	5	3080	3080	3046	3046
DRF-57	Spring plunger screw	5	3045	3045	3045	3045
DRF-60	Pin in block	5	3247	3247	3252	3255
DRF-61	Chaser screw	5	**	**	**	**
DRF-63	Serrated bushing	5	**	**	**	**
DRF-68	Shank Locking Scrw	2	1419	1419	1419	1419
DRF-69	Groove Insert Screw	1	1420	1420	1420	1420
DRF-70	Plunger Groove Insert	1	101	102	103	115
DRF-71	Spring/DRF-73	1	3228	3228	3246	3254
DRF-72	Retaining screw/DRF-73	1	3201	3201	3201	3201
DRF-73	Die cup retaining plunger	1	3153	3153	3153	3153
DRF-74A	Float bushing assembly	1	2908	2908	2922	2922

* See Catalog pages 21-22 for available standard block and chaser sizes.

** See Catalog Page 19



RSVP Tooling, Inc.

Toll Free: 888-289-7787 • Direct: 815-725-3310

Fax: 815-725-3391 • Email: sales@rsvptooling.com

www.rsvptooling.com