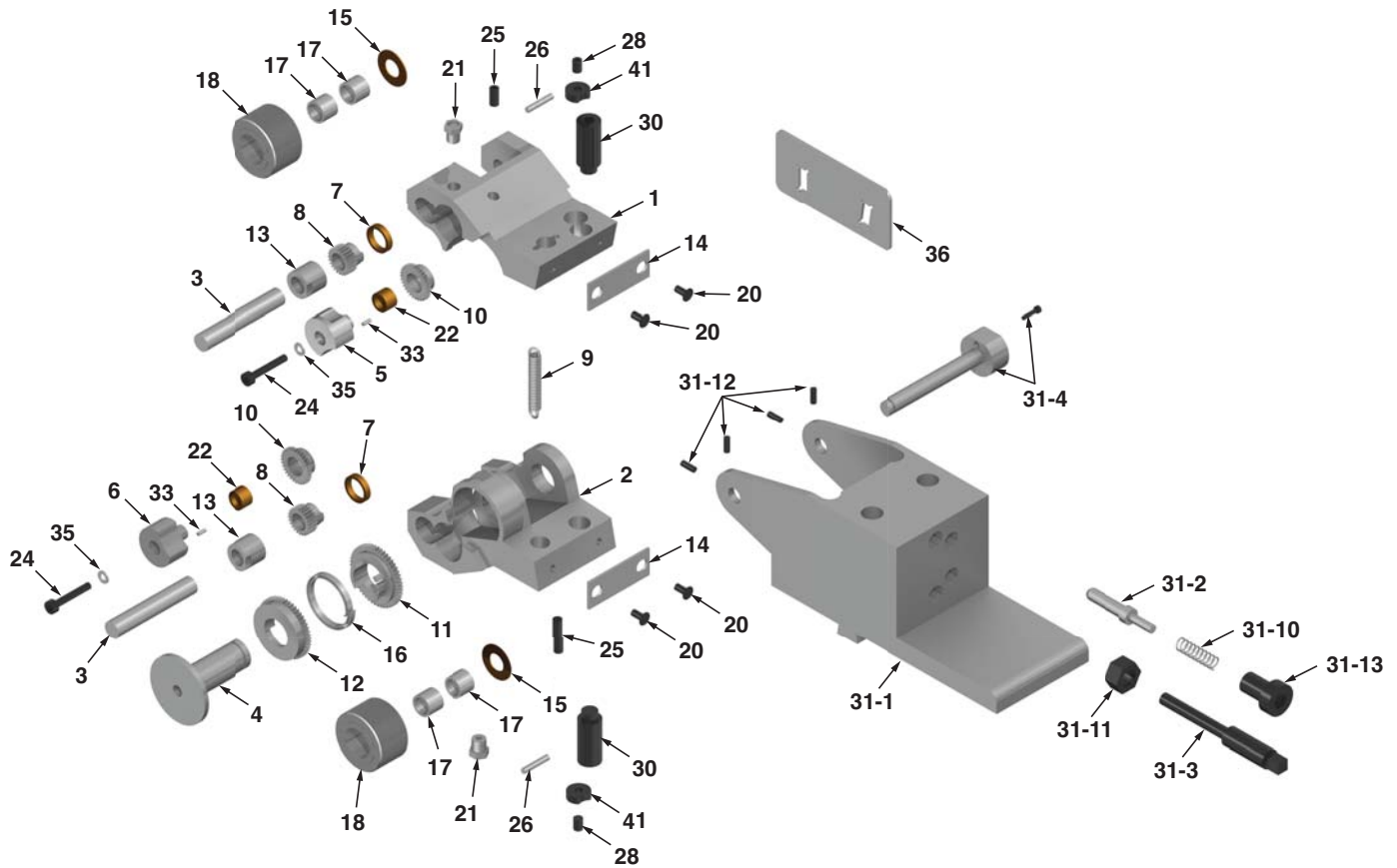


RT-10 - Tangential Head

Component Parts Breakdown



Item #	EDP	Description	Qty
1	10-001	Upper Arm	1**
2	10-002	Lower Arm	1
3	10-003	Shaft	2
4	10-004	Center Shaft	1
5	10-005	Bushing	1
6	10-006	Bushing	1
7	10-007	Bearing Bushing	2
8	10-008	Pinion	2
9	10-009	Tension Spring	1
10	10-010	Gear w/Bushing	2
11	10-011	Gear (assy w/12 & 16 only)	0**
12	10-012	Gear w/Coil Spring	1
13	10-013	Carbide Bushing	2
14	10-014	Plate	2

Item #	EDP	Description	Qty
15	10-015	Thrust Washer	2
16	10-016	Coil spring (assy w/11 & 12)	1
17	10-017	Bushing	4
20	10-020	Flat Head Scr.	4
21	10-021	Grease Nipple	2
22	10-022	Bearing Bushing	2
24	10-024	Cap Screw	2
25	10-025	Cap Screw	2
26	10-026	Straight Pin	2
27	10-027	Set Screw	1
28	10-028	Set Screw	2
30	10-030	Adj. Set Screw	2
31	10-031	Attachment Holder Complete	1▼
31-1	10-031-1	Housing	1▼

Item #	EDP	Description	Qty
31-2	10-031-2	Spring Loded Bolt	1
31-3	10-031-3	Stop Bolt	1
31-4A	10-031-4A	Bolt	1
31-4B	10-031-4B	Bolt	1
31-10	10-031-10	Thrust Spring	1
31-11	10-031-11	Hex Nut	1
31-12	10-031-12	Set Screw	2
31-13	10-031-13	Cap Screw	1
32	10-032	Setting Gauge	1▼
33	10-033	Slotted Pin	2
35	10-035	Schnorr Clip	2
36	10-036	Sheet Metal Gauge	1
41	10-041	Lock Washer	2

Sold as an assembly only

(#1 & #2 Arm Assy) (#11,12 & 16 gear w/Coil Spring Assy)

▼ Per Application



RSVP Tooling, Inc.

Toll Free: 888-289-7787 • Direct: 815-725-3310

Fax: 815-725-3391 • Email: sales@rsvptooling.com

www.rsvptooling.com