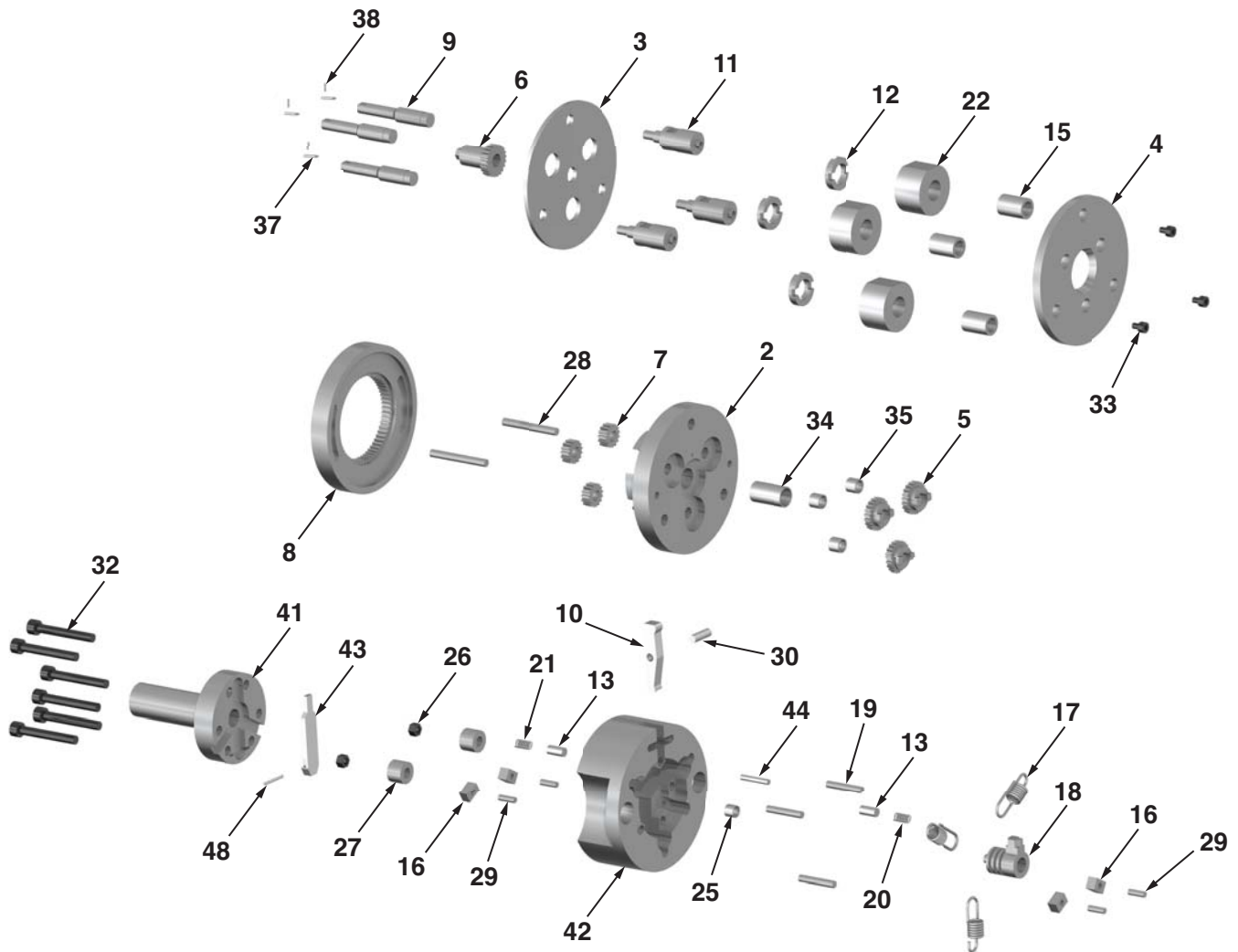


RE-16 - Radial Head

Component Parts Breakdown



Ref	Qty	Description	EDP
2	1	Drive Gear Plate	16-002
3	1	Cover Plate	16-003
4	1	Front Plate	16-004
5	3	Synchronizing Gear w/Bushing	16-005
6	1	Center Gear	16-006
7	3	Adjusting Gear	16-007
8	1	Gear Rim	16-008
9	3	Eccentric Spindle	16-009
10	1	External Trip Release Lever	16-010
11	3	Spacer Pin	16-011
12	3	Drive Plate	16-012
13	2	Coupling Pin	16-013
15	3	Bushing	16-015

Ref	Qty	Description	EDP
16	4	Fitting Key	16-016
17	1	Tension Spring (3 pcs.)	16-017
18	1	Clutch Stop	16-018
19	3	Pin	16-019
20	1	Pressure Spring, Heavy	16-020
21	1	Pressure Spring, Light	16-021
22	3	Thread Roll (see chart for size and EDP)	
25	1	Bushing	16-025
26	2	Hex Nut	16-026
27	2	Washer	16-027
28	2	Stud	16-028
29	4	Pin	10-029
30	1	Pin	16-030

Ref	Qty	Description	EDP
32	6	Cap Screw	16-032
33	3	Cap Screw	16-033
34	1	Bushing	16-034
35	3	Bushing - see Item 5	16-035
37	3	Fitting Key	16-037
38	3	Pin	16-038
41	1	Shank 1-1/2	16-041
41A	1	Shank 2"	16-041A
41B	1	Shank 40mm	16-041B
41C	1	Shank 50mm	16-041C
42	1	Spring Housing	16-042
43	1	Internal Trip Release Lever	16-043
44	1	Pin	16-044
48	1	Pin	13-048



RSVP Tooling, Inc.

Toll Free: 888-289-7787 • Direct: 815-725-3310

Fax: 815-725-3391 • Email: sales@rsvptooling.com

www.rsvptooling.com