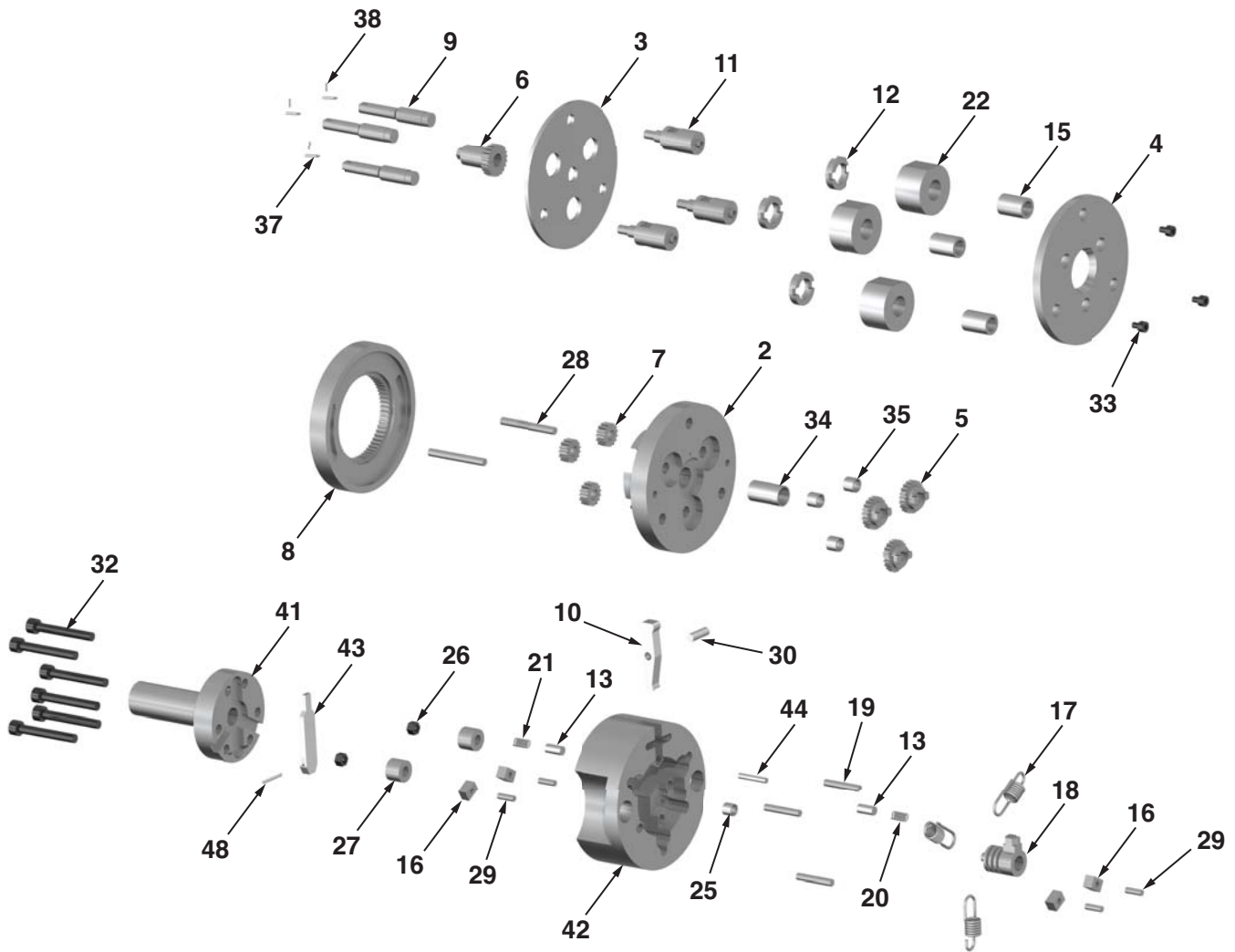


RE-13 - Radial Head

Component Parts Breakdown



Ref	Qty	Description	EDP
2	1	Drive Gear Plate	13-002
3	1	Cover Plate	13-003
4	1	Front Plate	13-004
5	3	Synchronizing Gear w/Bushing	13-005
6	1	Center Gear	13-006
7	3	Adjusting Gear	13-007
8	1	Gear Rim	13-008
9	3	Eccentric Spindle	13-009
10	1	External Trip Release Lever	13-010
11	3	Spacer Pin	13-011
12	3	Drive Plate	13-012
13	2	Coupling Pin	10-013
15	3	Bushing	13-015

Ref	Qty	Description	EDP
16	4	Fitting Key	10-016
17	1	Tension Spring (3 pcs.)	13-017
18	1	Clutch Stop	13-018
19	3	Pin	10-019
20	1	Pressure Spring, Heavy	13-020
21	1	Pressure Spring, Light	13-021
22	3	Thread Roll (see chart for size and EDP)	
25	1	Bushing	10-025
26	2	Hex Nut	10-026
27	2	Washer	13-027
28	2	Stud	13-028
29	4	Pin	10-029
30	1	Pin	10-030

Ref	Qty	Description	EDP
32	6	Cap Screw	10-032
33	3	Cap Screw	13-033
34	1	Bushing	13-034
35	3	Bushing - see Item 5	13-035
37	3	Fitting Key	13-037
38	3	Pin	13-038
41	1	Shank 1-1/2	13-041
41A	1	Shank 1-1/4	13-041A
41B	1	Shank 30mm	13-041B
41C	1	Shank 40mm	13-041C
42	1	Spring Housing	13-042
43	1	Internal Trip Release Lever	13-043
44	1	Pin	10-044
48	1	Pin	13-048



RSVP Tooling, Inc.

Toll Free: 888-289-7787 • Direct: 815-725-3310

Fax: 815-725-3391 • Email: sales@rsvptooling.com

www.rsvptooling.com