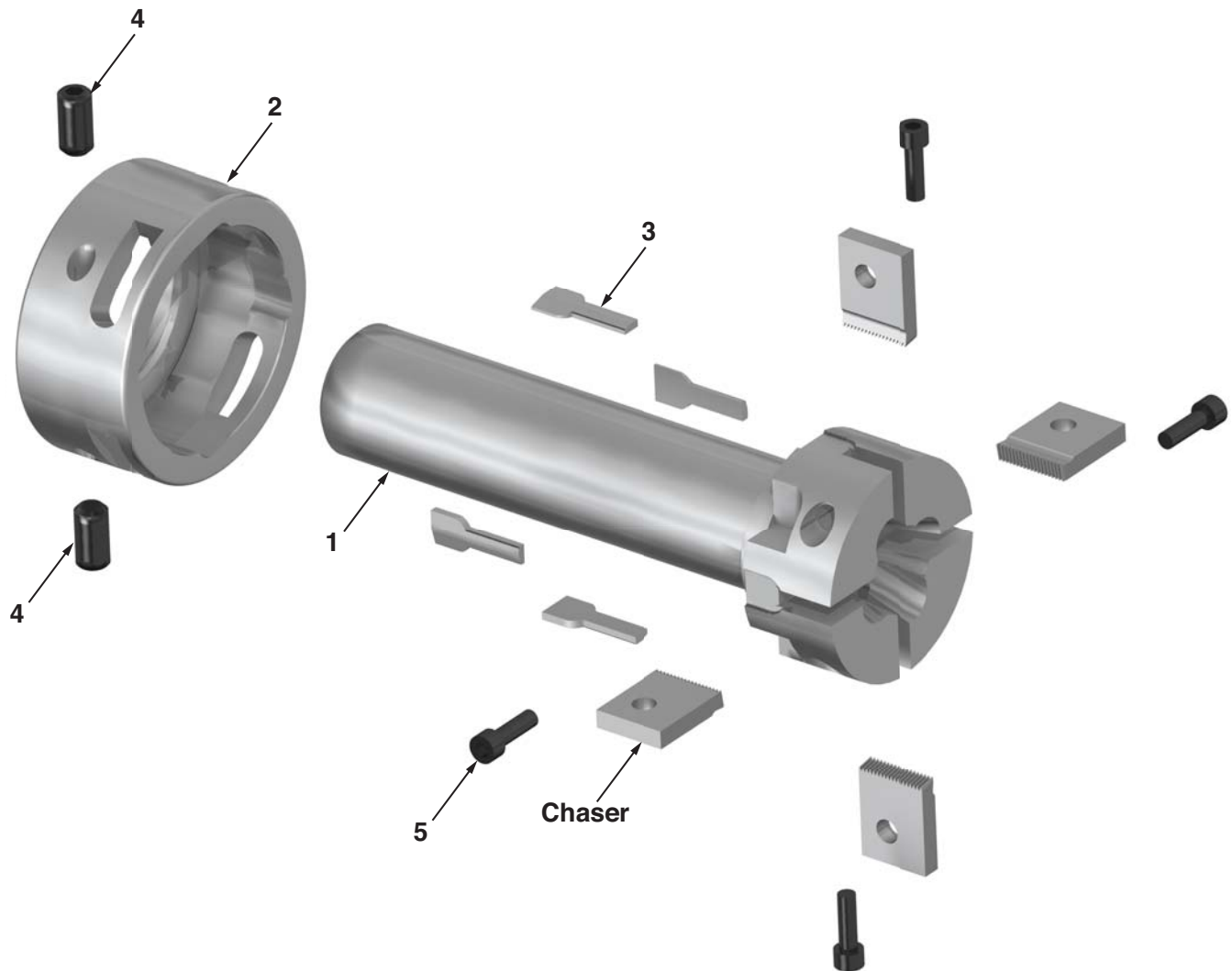


SAMN - Geometric Head

Component Parts Breakdown



Item#	Description	Unit Reqd	0	0-1/2	17/32-3/4	25/32-1	1-1/32-1-1/4	1-9/32-1-1/2	1-17/32-1-3/4	1-25/32-2
			EDP No.	EDP No.	EDP No.	EDP No.	EDP No.	EDP No.	EDP No.	EDP No.
1	Body assembly	1	S1693	S2372	S2374	S2376	S2378	S2380	S2382	S2384
2	Cup assembly	1	S1694	S2373	S2375	S2377	S2379	S2381	S2383	S2385
3	Chaser Insert	4	S1706	S2415	S2419	S2419	S2419	S2419	S2419	S2419
4	Adjusting Screw	2	S1707	S1707	S2420	S2424	S2428	S2428	S2428	S2428
5	Chaser Screw	4	S1708	S2416	S2421	S2425	S2429	S2429	S2434	S2434



RSVP Tooling, Inc.

Toll Free: 888-289-7787 • Direct: 815-725-3310

Fax: 815-725-3391 • Email: sales@rsvptooling.com

www.rsvptooling.com