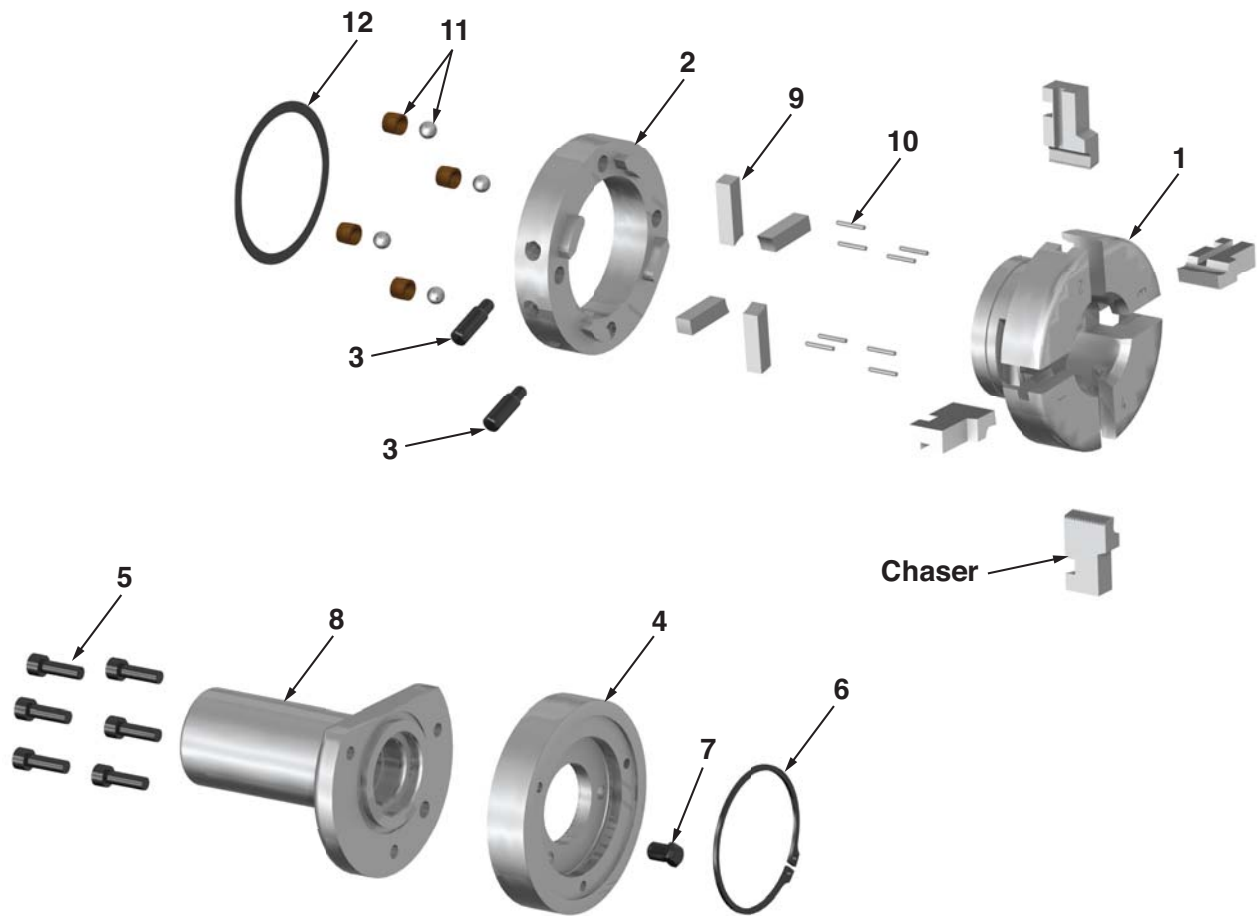


DJ - Geometric Head

Component Parts Breakdown



Item#	Description	Unit Reqd	5/16 EDP No.	9/16 EDP No.	3/4 EDP No.	1 EDP No.	1-1/4 EDP No.	1-3/4 EDP No.	2-1/4 EDP No.	2-1/2 EDP No.	3 EDP No.	3-3/4 EDP No.	4-3/4 EDP No.
1	Body	1	DJ1-001	DJ2-001	DJ3-001	DJ4-001	DJ5-001	DJ6-001	DJ7-001	DJ8-001	DJ9-001	DJ10-001	DJ11-001
2	Cam	1	DJ1-002	DJ2-002	DJ3-002	DJ4-002	DJ5-002	DJ6-002	DJ7-002	DJ8-002	DJ9-002	DJ10-002	DJ11-002
3	Adjusting Screw	1	DJ1-003	DJ2-003	DJ3-003	DJ4-003	DJ5-003	DJ6-003	DJ7-003	DJ8-003	DJ9-003	DJ10-003	DJ11-003
4	Flange	1	DJ1-004	DJ2-004	DJ3-004	DJ4-004	DJ5-004	DJ6-004	DJ7-004	DJ8-004	DJ9-004	DJ10-004	DJ11-004
5	Allen Screw	6	DJ1-005	DJ2-005	DJ3-005	DJ4-005	DJ5-005	DJ6-005	DJ7-005	DJ8-005	DJ9-005	DJ10-005	DJ11-005
6	Circlip	1	DJ1-006	DJ2-006	DJ3-006	DJ4-006	DJ5-006	DJ6-006	DJ7-006	DJ8-006	DJ9-006	DJ10-006	DJ11-006
7	Guide Pin	1	DJ1-007	DJ2-007	DJ3-007	DJ4-007	DJ5-007	DJ6-007	DJ7-007	DJ8-007	DJ9-007	DJ10-007	DJ11-007
8	Modular Shank	1	DJ1-008	DJ2-008	DJ3-008	DJ4-008	DJ5-008	DJ6-008	DJ7-008	DJ8-008	DJ9-008	DJ10-008	DJ11-008
9	Chaser Key		DJ1-009	DJ2-009	DJ3-009	DJ4-009	DJ5-009	DJ6-009	DJ7-009	DJ8-009	DJ9-009	DJ10-009	DJ11-009
10	Pin for Chaser Key	2	DJ1-010	DJ2-010	DJ3-010	DJ4-010	DJ5-010	DJ6-010	DJ7-010	DJ8-010	DJ9-010	DJ10-010	DJ11-010
11	Nipple Assembly	1	DJ1-011	DJ2-011	DJ3-011	DJ4-011	DJ5-011	DJ6-011	DJ7-011	DJ8-011	DJ9-011	DJ10-011	DJ11-011
12	Washer	1	DJ1-012	DJ2-012	DJ3-012	DJ4-012	DJ5-012	DJ6-012	DJ7-012	DJ8-012	DJ9-012	DJ10-012	DJ11-012



RSVP Tooling, Inc.

Toll Free: 888-289-7787 • Direct: 815-725-3310

Fax: 815-725-3391 • Email: sales@rsvptooling.com

www.rsvptooling.com