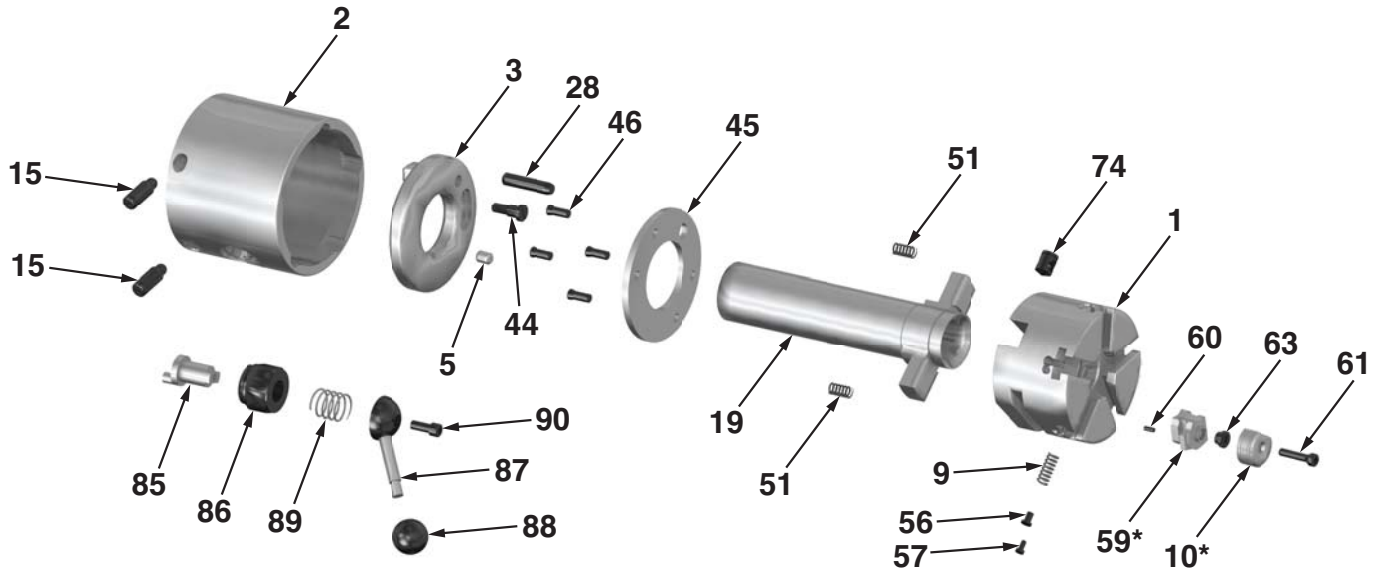


DSF - Circular Chaser Head

Component Parts Breakdown



Part#	Unit Description	1"		1-5/8"		2-3/8"	
		EDP Req'd	Unit No.	EDP Req'd	Unit No.	EDP Req'd	Unit No.
DSF-1A	Body assembly	1	2966	1	2942	1	2948
DSF-2A	Cup assembly	1	2967	1	2943	1	2949
DSF-3A	Adjusting plate assembly	1	2968	1	2927	1	2946
DSF-5	Stop pin	1	3029	1	3029	1	3029
DSF-9	Chaser spring	5	3233	5	3244	5	3244
DSF-9HD	Chaser spring heavy duty	5	3277	5	3240	5	3240
DSF-15	Adjusting screw in DSF-2A	2	3027	2	3031	2	3033
DSF-19	Shank	1	3057	1	3155	1	3059
DSF-19	Shank (2 3/4 Diameter)	-	-	1	3066	-	-
DSF-28	Guide pin	1	3102	1	3172	1	3172
DSF-44	Adjusting plate screw	1	3037	1	3037	1	30377
DSF-45	Spring plate	1	3058	1	3067	1	3060
DSF-46	Spring plate screw	4	3039	4	3040	4	3040
DSF-51	Shank pull back spring	2	3238	2	3243	2	3249
DSF-56	Spring plunger for DSF-9	5	3080	5	3046	5	3046
DSF-57	Spring plunger screw	5	3045	5	3045	5	3045
DSF-60	Pin in block	5	3247	5	3252	5	3255
DSF-61	Chaser screw	5	**	5	**	5	**
DSF-63	Serrated bushing	5	**	5	**	5	**
DSF-74A	Float bushing assembly	1	2908	1	2922	1	2922
DSF-85	Reset cam only	1	3110	1	3112	1	3112
DSF-85A	Reset cam assembly	1	2903	1	2904	1	2947
DSF-86	Cam holder	1	3111	1	3113	1	3113
DSF-87	Reset handle	1	3166	1	3149	1	3114
DSF-87S	Straight line spring lever	1	3017	1	3016	1	3016
DSF-88	Handle ball	1	3096	1	3097	1	3097
DSF-89	Reset cam spring	1	3106	1	3103	1	3103
DSF-90	Handle screw	1	3257	1	3258	1	3258

* See Catalog pages 21-22 for available standard block and chaser sizes.

** See Catalog Page 19



RSVP Tooling, Inc.

Toll Free: 888-289-7787 • Direct: 815-725-3310

Fax: 815-725-3391 • Email: sales@rsvptooling.com

www.rsvptooling.com