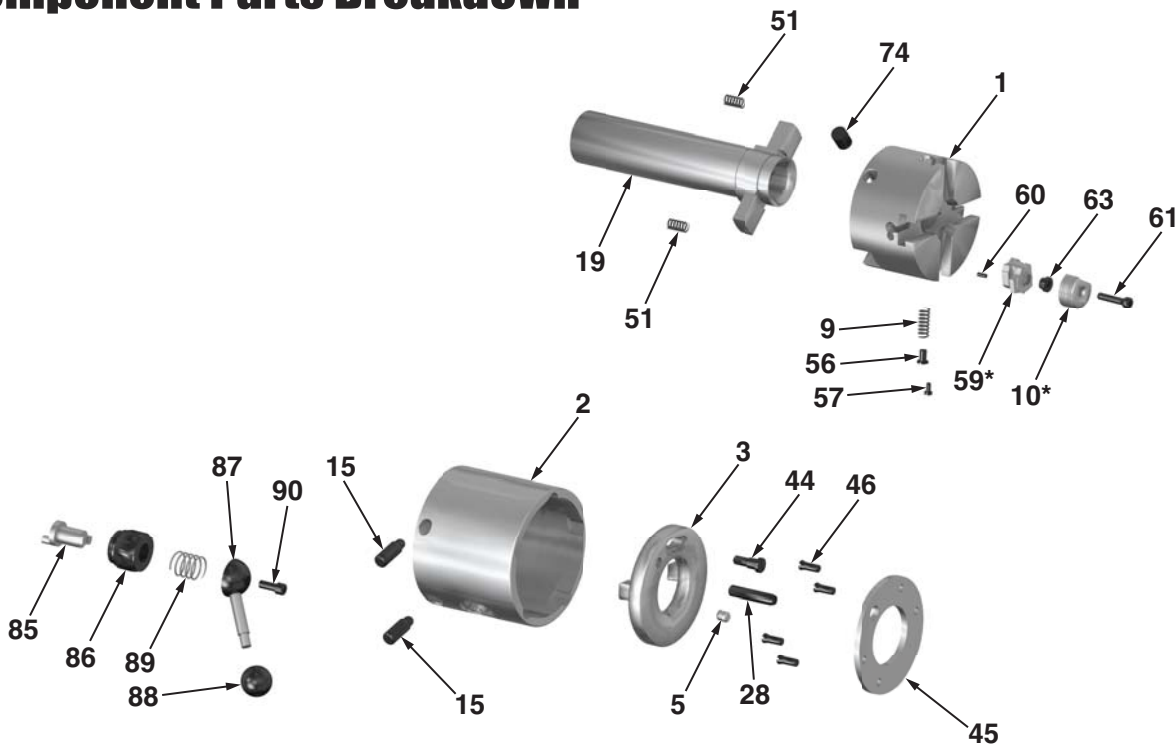


# DS - Circular Chaser Head

## Component Parts Breakdown



Part#	Description	3/8"		9/16"		13/16"		1"		1-5/8"	
		Unit Reqd	EDP No.	Unit Reqd	EDP No.	Unit Reqd	EDP No.	Unit Reqd	EDP No.	Unit Reqd	EDP No.
DS-1A	Body assembly	1	2983	1	2980	1	2963	1	2972	1	2925
DS-2A	Cup assembly	1	2984	1	2981	1	2964	1	2973	1	2926
DS-3A	Adjusting plate assembly	1	2985	1	2982	1	2965	1	2968	1	2927
DS-5	Stop pin	1	3025	1	3025	1	3029	1	3029	1	3029
DS-9	Chaser spring	4	3226	4	3233	4	3239	4	3244	4	3244
DS-9HD	Chaser spring HD	4	3233	4	3227	4	3250	4	3240	4	3240
DS-15	Adjusting screw in DS-2	2	3026	2	3022	2	3030	2	3027	2	3031
DS-19	Shank	1	3064	1	3053	1	3061	1	3057	1	3155
DS-28	Guide pin DS-3A	1	3173	1	3170	1	3102	1	3102	1	3172
DS-44	Adjusting plate screw	1	3036	1	3036	1	3037	1	3037	1	3037
DS-45	Spring plate	1	3065	1	3054	1	3062	1	3058	1	3067
DS-46	Spring plate screw	4	3038	4	3039	4	3039	4	3039	4	3040
DS-51	Shank pull back spring	2	3041	2	3232	2	3238	2	3238	2	3243
DS-56	Spring plunger for DS-9	4	3080	4	3080	4	3080	4	3046	4	3046
DS-57	Spring plunger screw	4	3045	4	3045	4	3045	4	3045	4	3045
DS-60	Pin in block	4	3247	4	3247	4	3247	4	3252	4	3255
DS-61	Chaser screw	4	**	4	**	4	**	4	**	4	**
DS-63	Serrated bushing	4	**	4	**	4	**	4	**	4	**
DS-74A	Float bushing assembly	1	2953	1	2953	1	2908	1	2908	1	2922
DS-85	Reset cam only	1	3169	1	3108	1	3110	1	3110	1	3112
DS-85A	Reset cam assembly	1	2901	1	2902	1	2903	1	2903	1	2904
DS-86	Cam holder	1	3107	1	3109	1	3111	1	3111	1	3113
DS-87	Reset handle	1	3168	1	3168	1	3166	1	3166	1	3149
DS-87S	Straight line closing lever	-	-	-	-	1	3017	1	3017	1	3016
DS-88	Handle ball	1	3096	1	3096	1	3096	1	3096	1	3097
DS-R9	Reset cam spring	1	3105	1	3104	1	3106	1	3106	1	3103
DS-90	Handle screw	1	3248	1	3248	1	3257	1	3257	1	3258

\* See Catalog pages 21-22 for available standard block and chaser sizes.

\*\* See Catalog Page 19



**RSVP Tooling, Inc.**

Toll Free: 888-289-7787 • Direct: 815-725-3310

Fax: 815-725-3391 • Email: sales@rsvptooling.com

[www.rsvptooling.com](http://www.rsvptooling.com)