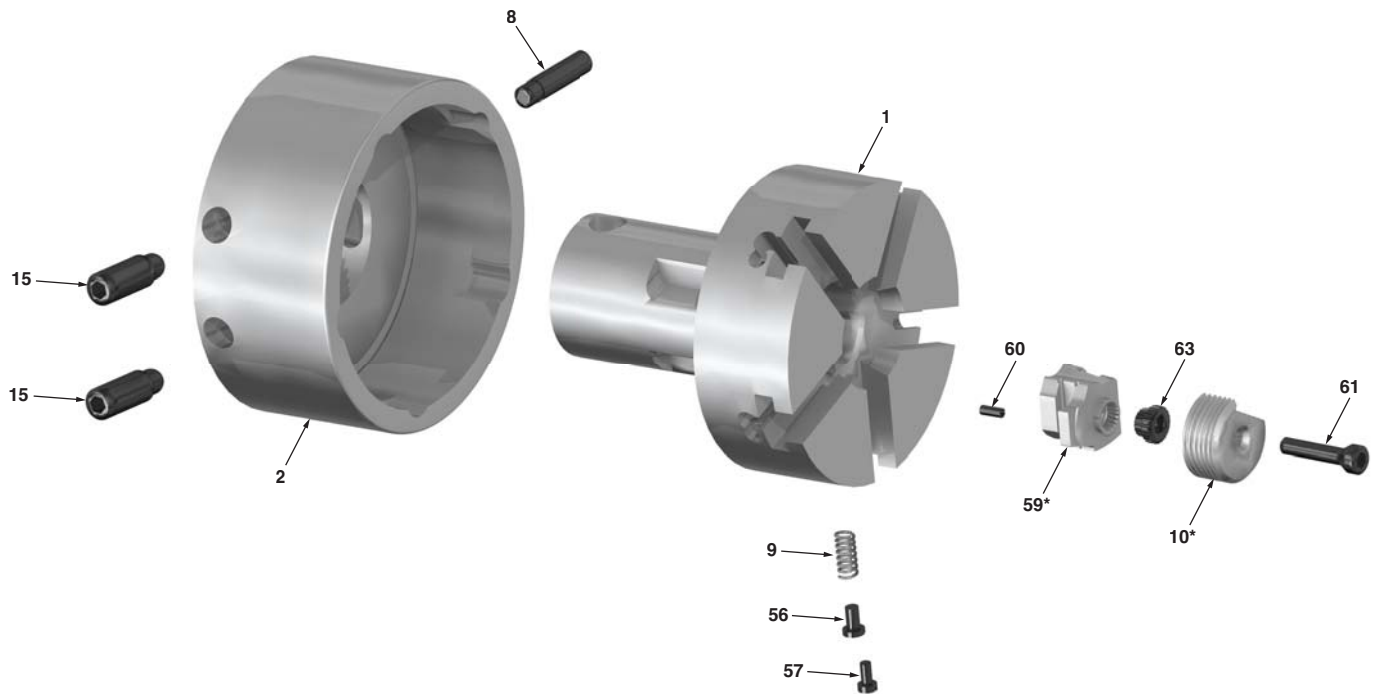


DRFSA - Circular Chaser Head

Component Parts Breakdown



Part#	Description	Unit Reqd	13/16" EDP No.	1" EDP No.	1-5/8" EDP No.	2-3/8" EDP No.
DRFSA-1A	Body Assy	1	2914M-SA	2905M-SA	2923M-SA	2934M-SA
DRFSA-2	Diecup	1	2915 SA	2916 SA	2924 SA	2935 SA
DRSFA-8	Cup Rtnr Screw	1	1726	1727	1727	1728
DR-9	Chaser Spring	5	3080	3080	3046	3046
DR-15	Adjusting Screw	2	3045	3045	3045	3045
DR-56	Spring plunger for DR-9	5	3247	3247	3252	3255
DR-57	Spring plunger screw	5	3080	3080	3046	3046
DR-60	Pin in block	5	3045	3045	3045	3045
DR-61	Chaser screw	**	**	**	**	**
DR-63	Serrated brushing	**	**	**	**	**

* See Catalog pages 21-22 for available standard block and chaser sizes.

** See Catalog Page 19



RSVP Tooling, Inc.

Toll Free: 888-289-7787 • Direct: 815-725-3310

Fax: 815-725-3391 • Email: sales@rsvptooling.com

www.rsvptooling.com