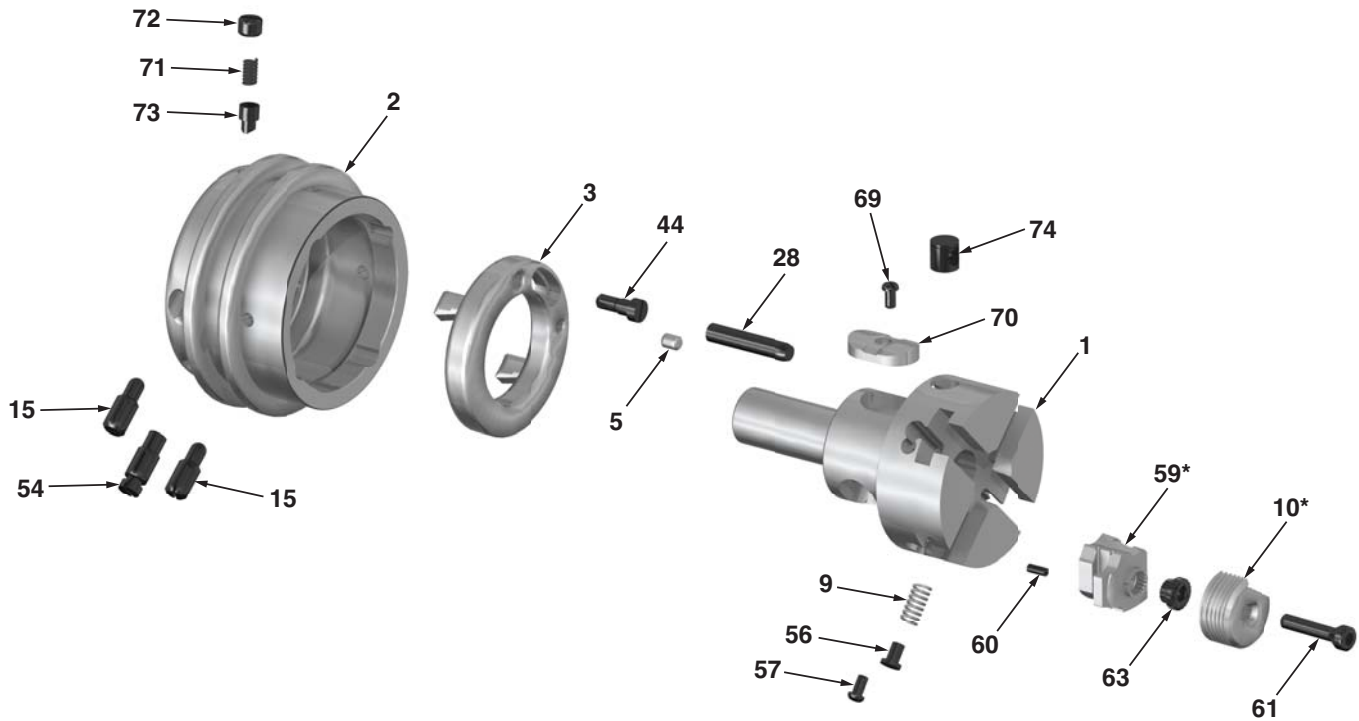


DRD - Circular Chaser Head

Component Parts Breakdown



Part #	Description	5/16"		3/8"		9/16"	
		Unit Reqd	EDP No.	Unit Reqd	EDP No.	Unit Reqd	EDP No.
DRD-1A	Body assembly	1	2996	1	2998	1	3000
DRD-2A	Cup assembly	1	2997	1	2999	1	3001
DRD-3A	Adjusting plate assembly	1	2962	1	2959	1	2952
DRD-5	Stop pin in DRD-3A	1	3021	1	3025	1	3025
DRD-9	Chaser spring	4	3218	4	3226	4	3233
DRD-9HD	Chaser spring HD	4	3195	4	3233	4	3227
DRD-15	Adj screw in DRD-2A	2	3019	2	3026	2	3022
DRD-28	Guide pin	1	3174	1	3171	1	3164
DRD-44	Adjusting plate screw	1	3037	1	3037	1	30377
DRD-54	Chaser locking screw	1	3146	1	3043	1	3042
DRD-56	Spring plunger for DRD-9	4	3073	4	3080	4	3080
DRD-57	Spring plunger screw	4	3045	4	3045	4	3045
DRD-60	Pin in block	4	3071	4	3247	4	3247
DRD-61	Chaser screw	4	**	4	**	4	**
DRD-63	Serrated bushing	4	**	4	**	4	**
DRD-71	Spring for DRD-73	2	3143	2	3197	2	3220
DRD-72	Retaining screw for DRD-73	2	3147	2	3263	2	3152
DRD-73	Die cup retaining plunger	2	3165	2	3161	2	3261
DRD-74A	Float bushing assembly	1	2953	1	2953	1	2953

* See Catalog pages 21-22 for available standard block and chaser sizes.

** See Catalog Page 19



RSVP Tooling, Inc.

Toll Free: 888-289-7787 • Direct: 815-725-3310

Fax: 815-725-3391 • Email: sales@rsvptooling.com

www.rsvptooling.com