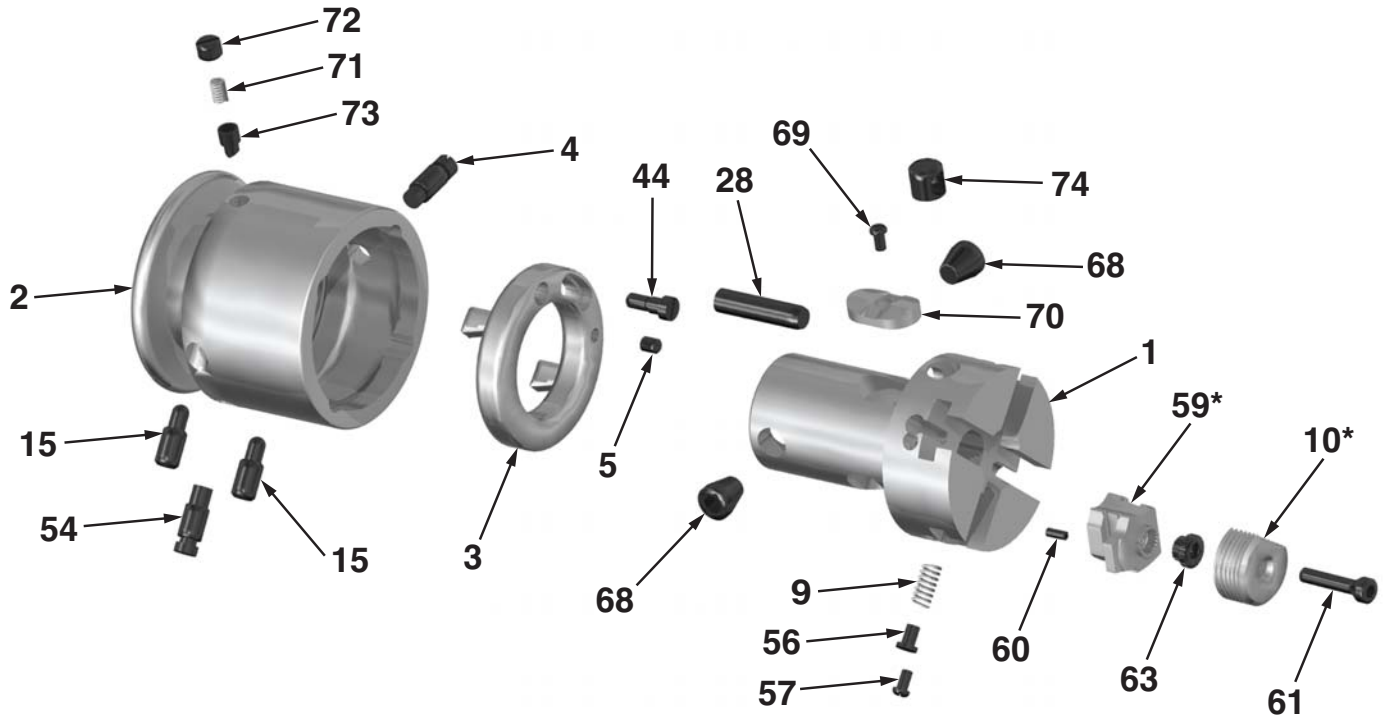


DR - Circular Chaser Head

Component Parts Breakdown



Part#	Unit Description	EDP Req'd	5/16"	3/8"	9/16"	13/16"	1"	1-1/16"	1-5/8"	2"
			EDP No.	EDP No.	EDP No.	EDP No.	EDP No.	EDP No.	EDP No.	EDP No.
DR-1A	Body assembly	1	2960M	2957M	2992M	2911M	2909M	2916M	2919M	2928M
DR-2A	Cup assembly	1	2961	2958	2951	2912	2910	2917	2920	2929
DR-3A	Adjusting plate assembly	1	2962	2959	2952	2913	2907	2918	2921	2930
DR-4	Retaining screw	1	0	3024	3023	3028	3087	3074	3028	3087
DR-5	Stop pin in DR-3A	1	3021	3025	3025	3029	3029	3029	3209	3029
DR-9	Chaser spring	4	3218	3226	3233	3239	3244	3239	3244	3244
DR-9HD	Chaser spring/HD	4	3195	3233	3227	3250	3240	3250	3240	3240
DR-15	Adj Screw in DR-2A	2	3156	3026	3022	3030	3027	3030	3031	3031
DR-28	Guide pin in DR-3A	1	3174	3171	3164	3099	3100	3099	3157	3157
DR-44	Adjusting plate screw	1	3035	3036	3036	3037	3037	3037	3037	3038
DR-54	Chaser locking screw	1	3020	3043	3042	3044	3163	3074	3044	3163
DR-56	Spring plunger for DR-9	4	3073	3080	3080	3080	3046	3080	3046	3046
DR-57	Spring plunger screw	4	3045	3045	3045	3045	3045	3045	3045	3045
DR-60	Pin in block	4	3071	3247	3247	3247	3247	3247	3255	3255
DR-61	Chaser screw		**	**	**	**	**	**	**	**
DR-63	Serrated brushing		**	**	**	**	**	**	**	**
DR-68	Shank Locking Scrw	2	N/A	N/A	1419	1419	1419	1419	1419	1419
DR-69	Groove Insert Screw	1	N/A	N/A	1420	1420	1420	1420	1420	1420
DR-70	Plunger Groove Insert	1	N/A	N/A	100	101	102	101	103	114
DR-71	Spring for DR-73	1	3143	3197	3220	3228	3228	3228	3246	3228
DR-72	Ret screw for DR-73	1	3147	3263	3152	3201	3201	3201	3201	3201
DR-73	Die cup plunger	1	3159	3161	3161	3153	3153	3153	3153	3153
DR-74	Float bushing assembly	1	2953	2953	2953	2908	2908	2908	2922	2922

* See Catalog pages 21-22 for available standard block and chaser sizes.

** See Catalog Page 19



RSVP Tooling, Inc.

Toll Free: 888-289-7787 • Direct: 815-725-3310

Fax: 815-725-3391 • Email: sales@rsvptooling.com

www.rsvptooling.com