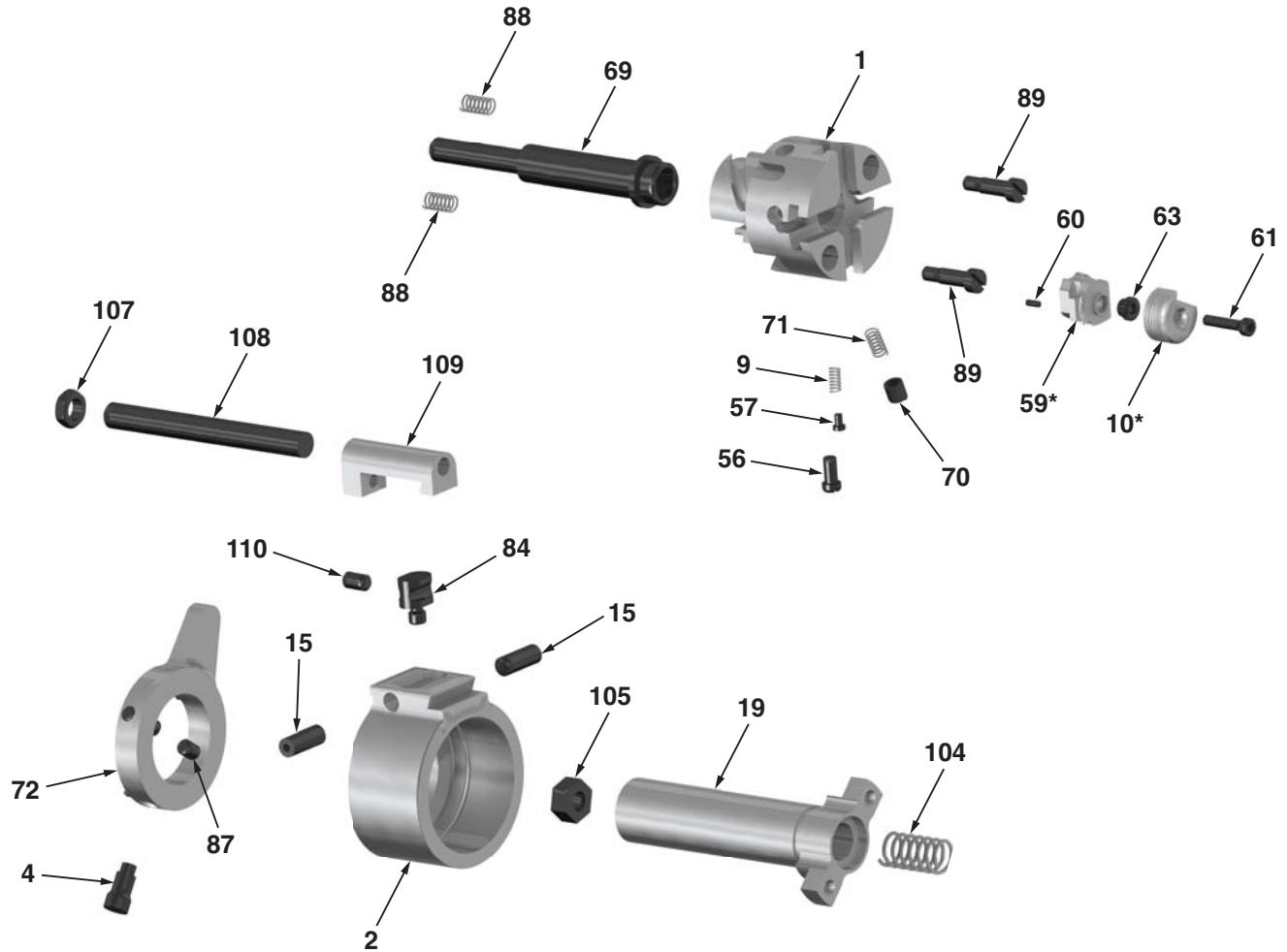


# DBS - Circular Chaser Head

## Component Parts Breakdown



Part#	Unit Description	3/8"		9/16"	
		EDP Reqd	Unit No.	EDP Reqd	Unit No.
DBS-1A	Body assembly	1	2993	1	3002
DBS-2A	Cup assembly	1	2994	1	3003
DBS-4	Retaining screw	1	3130	1	3130
DBS-9	Chaser spring	4	3226	4	3233
DBS-9HD	Chaser spring HD	4	3233	4	3227
DBS-15	Adjusting screw	2	3242	2	3242
DBS-19	Shank	1	3128	1	3131
DBS-56	Spring plunger/DBS-9	4	3080	4	3080
DBS-57	Spring plunger screw	4	3045	4	3045
DBS-60	Pin in block	4	3247	4	3247
DBS-61	Chaser screw	4	**	4	**
DBS-63	Serrated bushing	4	**	4	**
DBS-69	Shank bushing	1	3129	1	3132

\*\* See Catalog Page 19

Part#	Unit Description	3/8"		9/16"	
		EDP Reqd	Unit No.	EDP Reqd	Unit No.
DBS-70	Cup retaining plunger	1	3141	1	3141
DBS-71	Spring/retaining plunger	1	3142	1	3142
DBS-72A	Resetting ring assembly	1	2995	1	3004
DBS-84	Adjusting block	1	3148	1	3148
DBS-87	Resetting ring pin	2	3256	2	3133
DBS-88	Compensating float spring	2	3081	2	3140
DBS-89	Screw for float spring	2	3138	2	3137
DBS-104	Shank tension spring	1	3139	1	3134
DBS-105	Shank nut	1	3176	1	3177
DBS-107	Lock nut for trip rod	1	3253	1	3253
DBS-108	Trip rod	1	3119	1	3119
DBS-109	Stop bracket	1	3160	1	3160
DBS-110	Lock screw/stop bracket	1	3235	1	3225

\* See Catalog pages 21-22 for available standard block and chaser sizes.



**RSVP Tooling, Inc.**

Toll Free: 888-289-7787 • Direct: 815-725-3310

Fax: 815-725-3391 • Email: sales@rsvptooling.com

[www.rsvptooling.com](http://www.rsvptooling.com)