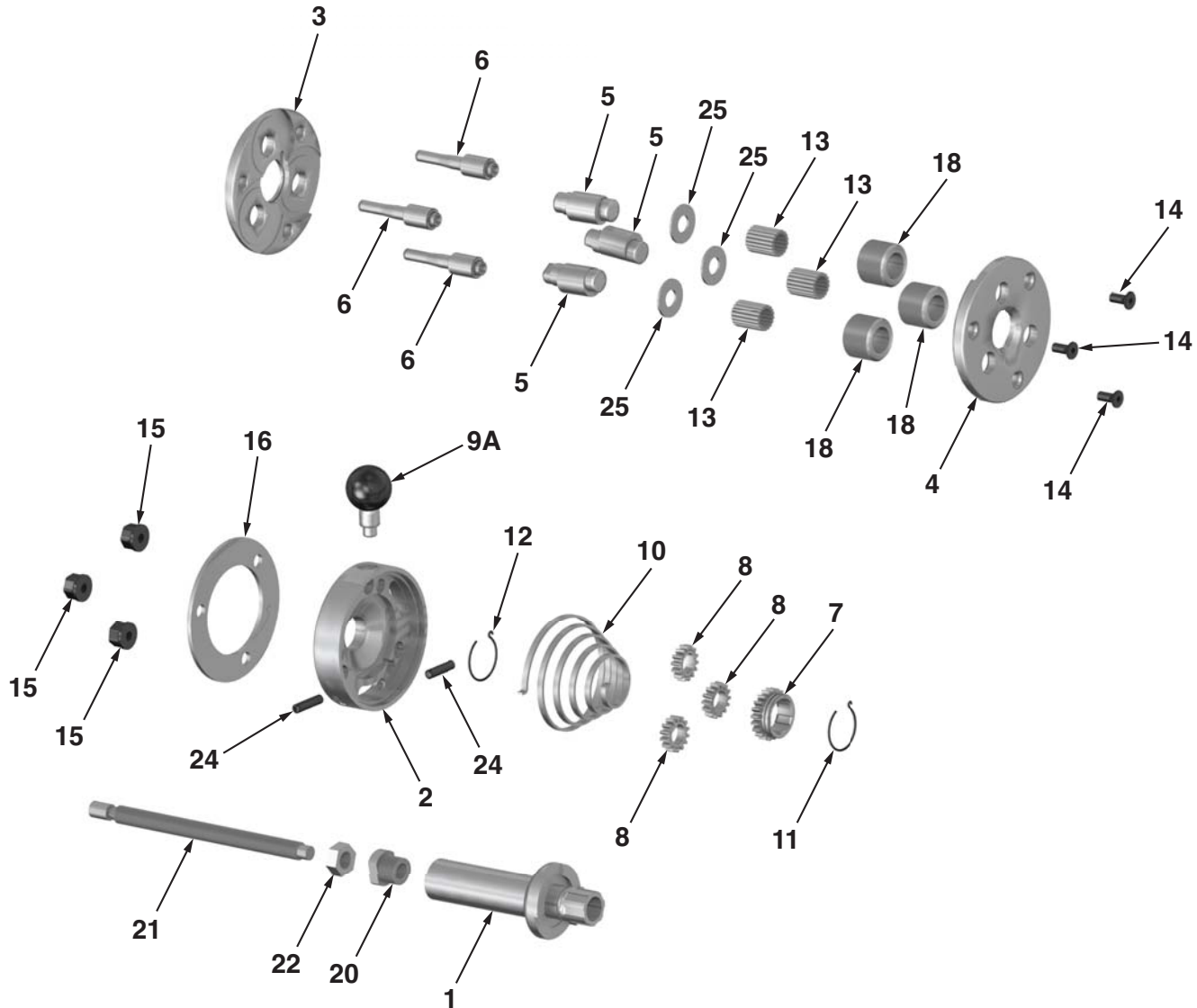


# A34 - Axial Head

## Component Parts Breakdown



Ref	Qty	Description	EDP
1	1	Shank 1-1/2	7364
1A	1	Shank 1-1/4	7361
1B	1	Shank 30mm	7364-30
1C	1	Shank 32mm	7364-32
2	1	Spring Housing	7375
3	1	Center Plate	7396
4	1	Front Plate	7397
5	3	Eccentric Spindle	7394
6	3	Spacer Stud	7680

Ref	Qty	Description	EDP
7	1	Center Gear	7393
8	3	Outer Gear	7395
9A	1	Handle Assy.	7369A
10	1	Coil Spring	7365
11	1	Circlip	7398
12	1	Circlip	7367
13	57	Needle Roller Bearings	7603
13*	3	Carbide Bushing	1461
14	3	Front Plate Screw	7370

Ref	Qty	Description	EDP
15	3	Hexagon Nut	7371
16	1	Ring Washer	7387
18	3	Thread Roll (See Chart for Size & EDP)	
20	1	Stop Screw Body	7372
21	1	Stop Screw	7373
22	1	Hexagon Nut	7374
24	2	Set Screw (2/set)	7312
25	3	Washer	7395

(\* ) #13 Needle Bearings are provided as standard. Optional Carbide Bushings provided at additional cost upon request.



**RSVP Tooling, Inc.**

Toll Free: 888-289-7787 • Direct: 815-725-3310

Fax: 815-725-3391 • Email: sales@rsvptooling.com

[www.rsvptooling.com](http://www.rsvptooling.com)