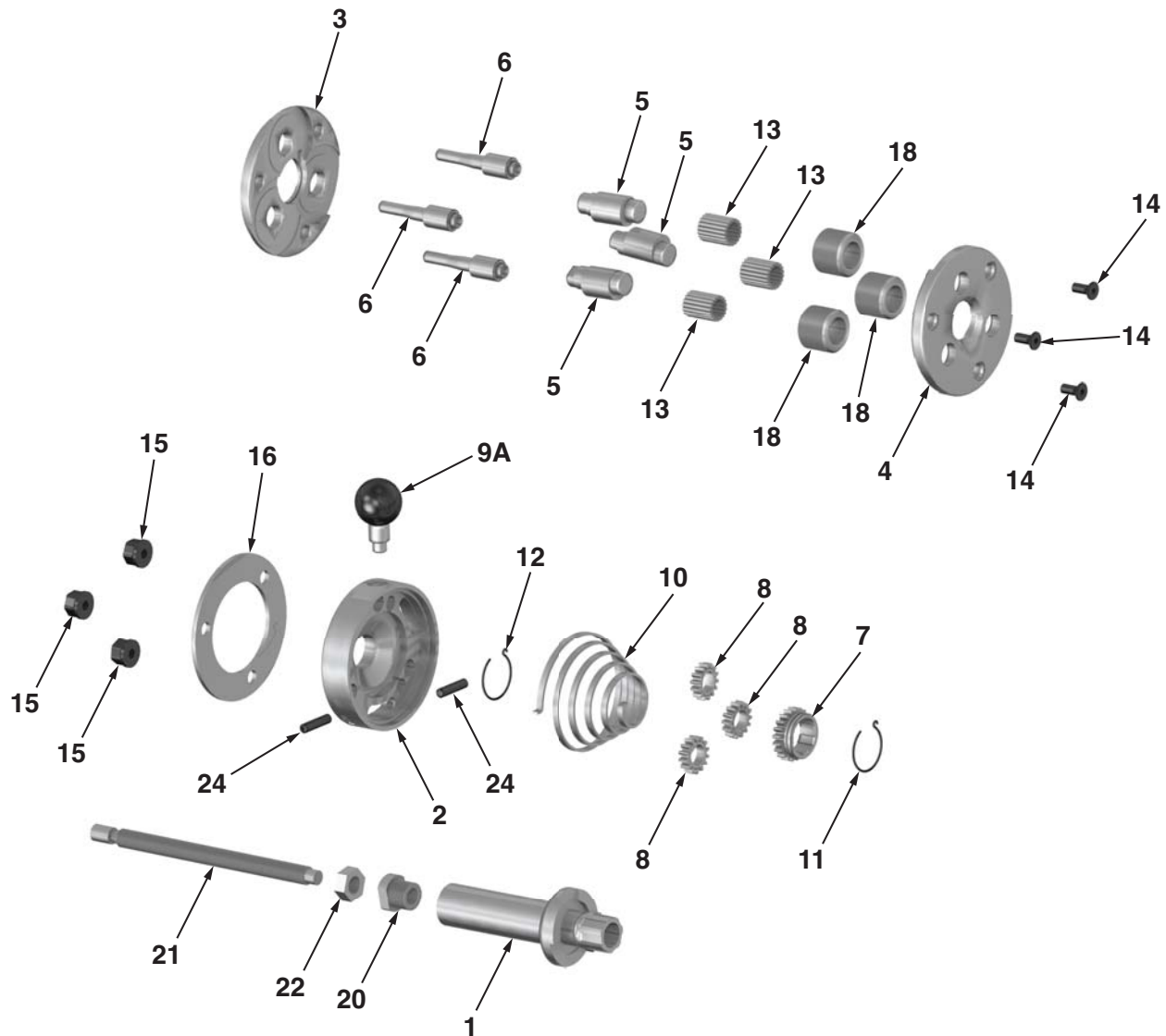


# A2 - Axial Head

## Component Parts Breakdown



Ref	Qty	Description	EDP
1	1	Shank 1"	7590
1A	1	Shank 25mm	7590-25
2	1	Spring Housing	7310
3	1	Center Plate	7593
4	1	Front Plate	7594
5	3	Eccentric Spindle	7595
6	3	Spacer Stud	7609
7	1	Center Gear	7597

Ref	Qty	Description	EDP
8	3	Outer Gear	7598
9A	1	Handle Assy.	7604A
10	1	Coil Spring	7600
11	1	Circlip	7601
12	1	Circlip	7683
13	57	Needle Roller Bearings	7603
13*	3	Carbide Bushing	1461
14	3	Front Plate Screw	7605

Ref	Qty	Description	EDP
15	3	Hexagon Nut	7606
16	1	Ring Washer	7596
18	3	Thread Roll (See Chart for Size & EDP)	
20	1	Stop Screw Body	7592
21	1	Stop Screw	7599
22	1	Hexagon Nut	7602
24	2	Set Screw (2/set)	7311

(\*) #13 Needle Bearings are provided as standard. Optional Carbide Bushings provided at additional cost upon request.



**RSVP Tooling, Inc.**

Toll Free: 888-289-7787 • Direct: 815-725-3310

Fax: 815-725-3391 • Email: [sales@rsvptooling.com](mailto:sales@rsvptooling.com)

[www.rsvptooling.com](http://www.rsvptooling.com)