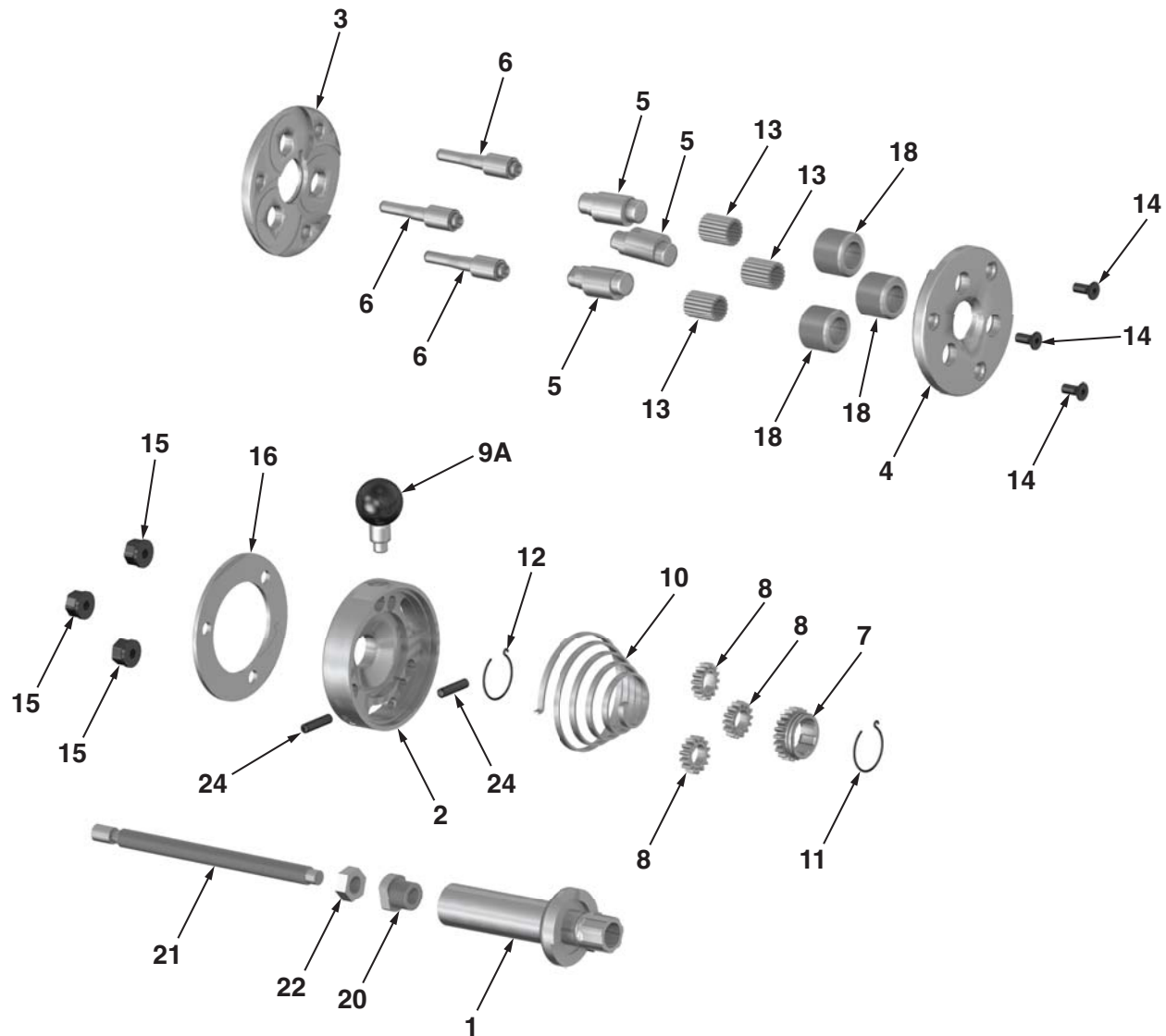


A1 - Axial Head

Component Parts Breakdown



Ref	Qty	Description	EDP
1	1	Shank 3/4"	7554
1A	1	Shank 20mm	7554-20
2	1	Spring Housing	7571
3	1	Center Plate	7556
4	1	Front Plate	7557
5	3	Eccentric Spindle	7558
6	3	Spacer Stud	7559
7	1	Center Gear	7560

Ref	Qty	Description	EDP
8	3	Outer Gear	7561
9A	1	Handle Assy.	7576A
10	1	Coil Spring	7563
11	1	Circlip	7564
12	1	Circlip	7565
13	57	Needle Roller Bearings	7566
13*	3	Carbide Bushing	1455
14	3	Front Plate Screw	7568

Ref	Qty	Description	EDP
15	3	Hexagon Nut	7578
16	1	Ring Washer	7570
18	3	Thread Roll	
		(See Chart for Size & EDP)	
20	1	Stop Screw Body	2185
21	1	Stop Screw	2187
22	1	Hexagon Nut	2186
24	2	Set Screw (2/set)	2190

(*) #13 Needle Bearings are provided as standard. Optional Carbide Bushings provided at additional cost upon request.



RSVP Tooling, Inc.

Toll Free: 888-289-7787 • Direct: 815-725-3310

Fax: 815-725-3391 • Email: sales@rsvptooling.com

www.rsvptooling.com