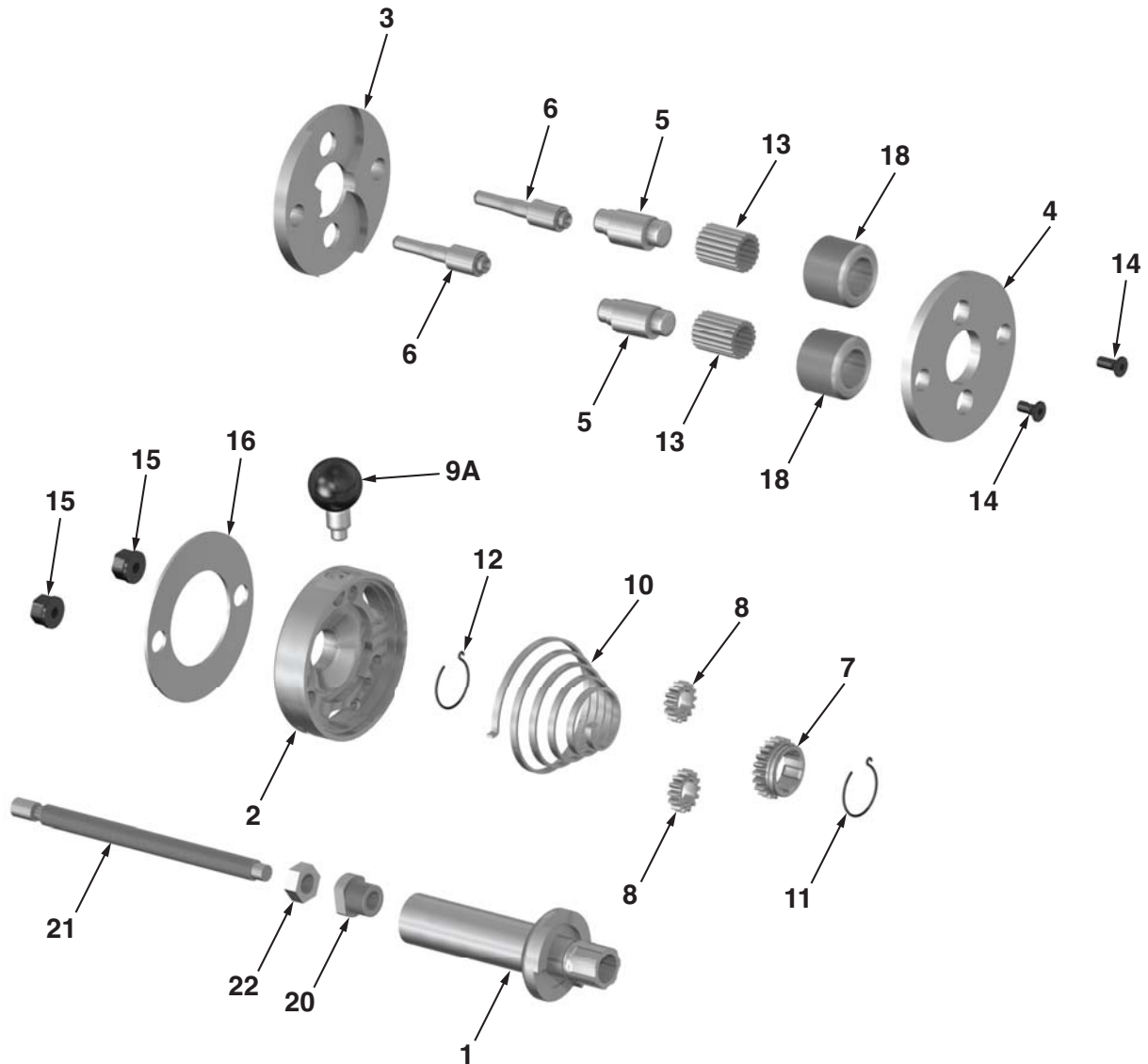


AO - Axial Head

Component Parts Breakdown



Ref	Qty	Description	EDP
1	1	Shank	7500
2	1	Spring Housing	7501
3	1	Center Plate	7502
4	1	Front Plate	7503
5	2	Eccentric Spindle	7504
6	2	Spacer Stud	7505
7	1	Center Gear	7506
8	2	Outer Gear	7507

Ref	Qty	Description	EDP
9A	1	Handle Assy.	7508A
10	1	Coil Spring	7509
11	1	Circlip	7510
12	1	Circlip	7511
13	36	Needle Bearings	7512
13*	2	Carbide Bushing	1466
14	2	Front Plate Screw	7514
15	2	Hexagon Nut	7515

Ref	Qty	Description	EDP
16	1	Ring Washer	7516
18	3	Thread Roll	
		(See Chart for Size & EDP)	
20	1	Stop Screw Body	7517
21	1	Stop Screw	7518
22	1	Hexagon Nut	7519

(*) #13 Needle Bearings are provided as standard. Optional Carbide Bushings provided at additional cost upon request.



RSVP Tooling, Inc.

Toll Free: 888-289-7787 • Direct: 815-725-3310

Fax: 815-725-3391 • Email: sales@rsvptooling.com

www.rsvptooling.com