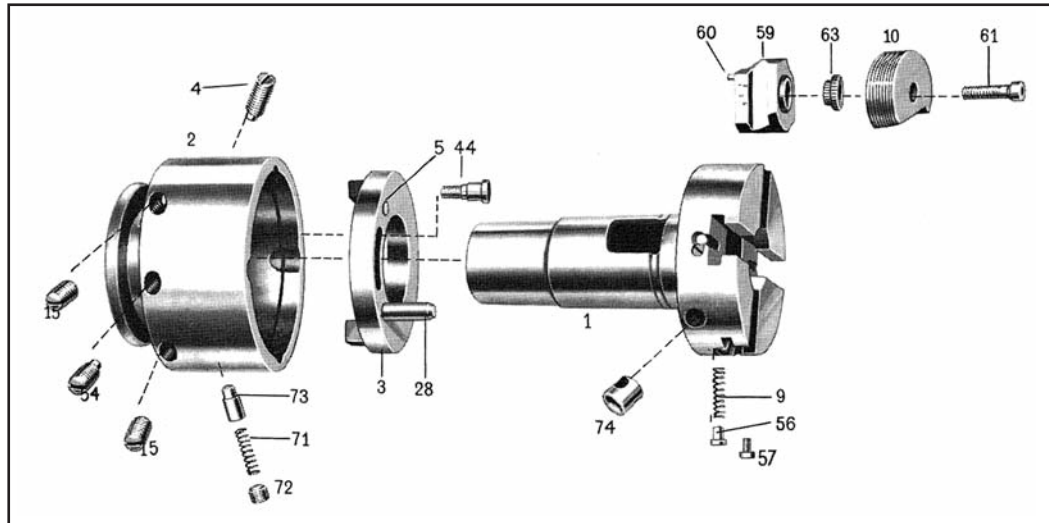


RSVP DR 9/16 Diehead Component Part Breakdown



Part #	Unit Description	5/16" Reqd.	3/8" No.	9/16' No.	13/16" No.	1" No.	1-1/16" No.	1-5/8" No.	No.
DR-1A	Body Assembly	1	2960	2957	2992	2911	2909	2916	2919
DR-2A	Cup Assembly	1	2961	2958	2951	2912	2910	2917	2920
DR-3A	Adjusting Plate Assy	1	2962	2959	2952	2913	2907	2918	2921
DR-4	Retaining Screw	10	3024	3023	3028	3087	3074	3028	
DR-5	Stop Pin in DR-3A	1	3021	3025	3025	3029	3029	3029	3209
DR-9	Chaser Spring	4	3218	3226	3233	3239	3244	3239	3244
DR-9HD	Chaser SpringIHD	4	3195	3233	3227	3250	3240	3250	3240
DR-15	Adj Screw in DR-2A	2	3156	3026	3022	3030	3027	3030	3031
DR-28	Guide Pin in DR-3A	1	3174	3171	3164	3099	3100	3099	3157
DR-54	Chsr Locking Screw	1	3020	3043	3042	3044	3163	3074	3044
DR-56	Spg Plunger for DR-9	4	3073	3080	3080	3080	3046	3080	3046
DR-57	Spg Plunger Screw	4	3045	3045	3045	3045	3045	3045	3045
DR-60	Pin in Block	4	3071	3247	3247	3247	3247	3247	3255
DR-61	Chaser Screw		****	****	****	****	****	****	****
DR-63	Serrated Brushing		****	****	****	****	****	****	****
DR-71	Spring for DR-73	2	3143	3197	3220	3228	3228	3228	3246
DR-72	Ret Screw for DR-73	2	3147	3263	3152	3201	3201	3201	3201
DR-73	Die cup RetPlunger	2	3159	3161	3161	3153	3153	3153	3153
DR-74	Float Bushing Assy	1	2953	2953	2953	2908	2908	2908	2922

**** SEE PAGE 20 & 21

Our Cups, Bodies and Adjusting plates come complete as an Assembly

To order stainless steel springs add an "S" at the end of the piece part number.

We carry screws with a nylon plug to prevent screws from moving, add "N" after part number.

We offer different style screw heads upon request, hex, allen, etc.

