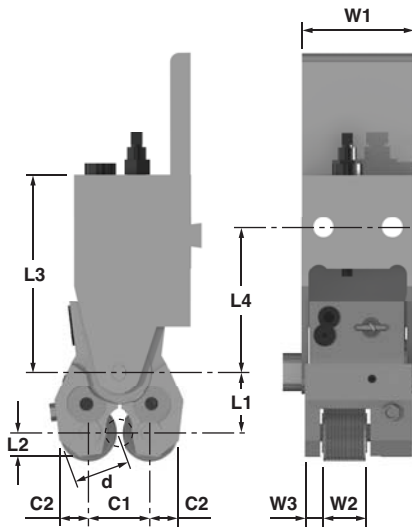


RT-20 Tangential Side Thread Rolling Attachment

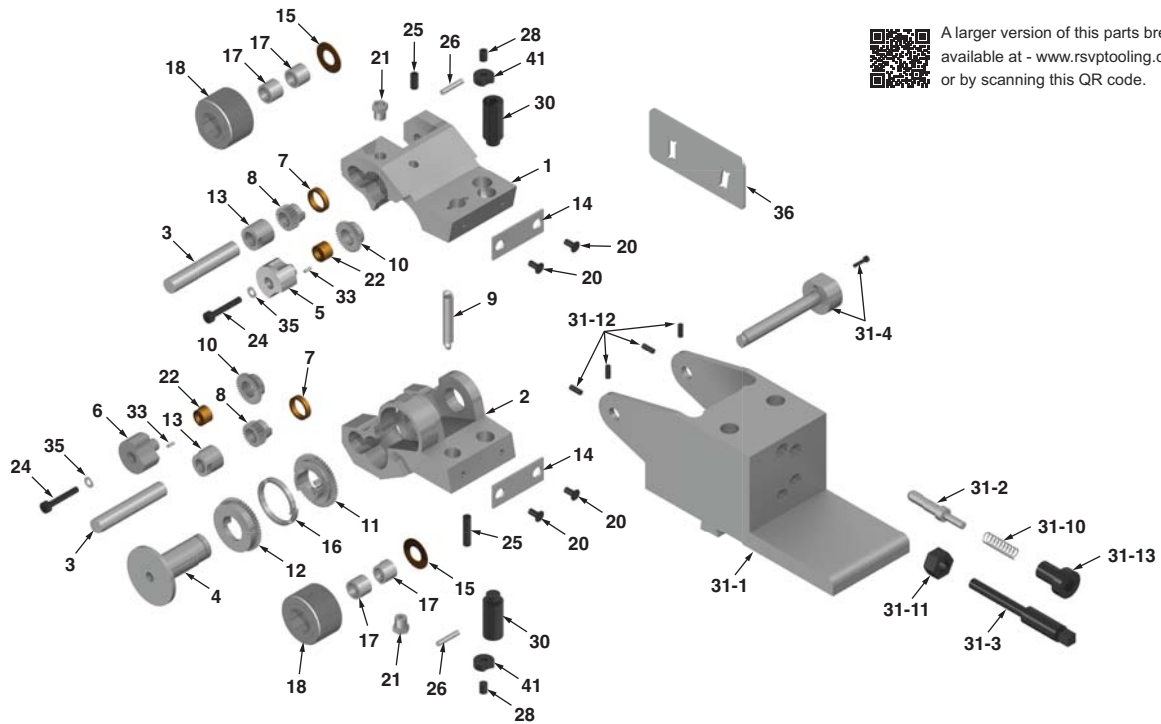


Dmax = max. shoulder diameter
 Av = Operating feed
 Dimensions above refer to cross slide mounted holder.
 Dimensions for other tool holder are adapted to the respective machine.

Roiling Attachment		RT20
W1 mm/inch		58 / 2.283
W2 mm/inch		21.5 / 0.846
W3 mm/inch		11.1 / 0.437
L1 mm/ Inch min./max.		30.1 / 1.185 37.8 / 1.488
L2 mm/inch		14 / 0.551
L3 mm/inch		100 / 3.937
C1 mm/inch min./max.		40.5 / 1.594 61 / 2.402
C2 mm/inch		19.8/0.78
d mm/inch max.		44 / 1.732
L4		97.5 / 3.839
Weight Approx. (kg)	Rolling Attachment	1.7
	Roiling Attachment Holder	2.4
	Thread rolls (1 set = 2 pieces)	0.45
	Setting gauge	0.1
	Total	4.65

For left hand threads, the same rolling attachment can be used as for right hand threads. Left hand threads require left hand rolls.

Component Parts Breakdown



A larger version of this parts breakdown is available at - www.rsvptooling.com/prints.html or by scanning this QR code.

Item #	EDP	Description	Qty
1	20-001	Upper Arm	1**
2	20-002	Lower Arm	1
3	20-003	Shaft	2
4	20-004	Center Shaft	1
5	20-005	Bushing	1
6	20-006	Bushing	1
7	20-007	Bearing Bushing	2
8	20-008	Pinion	2
9	20-009	Tension Spring	1
10	20-010	Gear w/Bushing	2
11	20-011	Gear (assy w/12 & 16 only)	0**
12	20-012	Gear w/Coil Spring	1
13	20-013	Carbide Bushing	2
14	20-014	Plate	2

Item #	EDP	Description	Qty
15	20-015	Thrust Washer	2
16	20-016	Coil spring (assy w/11 & 12)	1
17	20-017	Bushing	4
20	20-020	Flat Head Scr.	4
21	20-021	Grease Nipple	2
22	20-022	Bearing Bushing	2
24	20-024	Cap Screw	2
25	20-025	Cap Screw	2
26	20-026	Straight Pin	2
27	20-027	Set Screw	1
28	20-028	Set Screw	2
30	20-030	Adj. Set Screw	2
31	20-031	Attachment Holder Complete	1*
31-1	20-031-1	Housing	1*

Item #	EDP	Description	Qty
31-2	20-031-2	Spring Loded Bolt	1
31-3	20-031-3	Stop Bolt	1
31-4A	20-031-4A	Bolt	1
31-4B	20-031-4B	Bolt	1
31-10	20-031-10	Thrust Spring	1
31-11	20-031-11	Hex Nut	1
31-12	20-031-12	Set Screw	2
31-13	20-031-13	Cap Screw	1
32	20-032	Setting Gauge	1*
33	20-033	Slotted Pin	2
35	20-035	Schnorr Clip	2
36	20-036	Sheet Metal Gauge	1
41	20-041	Lock Washer	2

Sold as an assembly only
 *(#1 & #2 Arm Assy) (#11,12 & 16 gear w/Coil Spring Assy)
 *Per Application