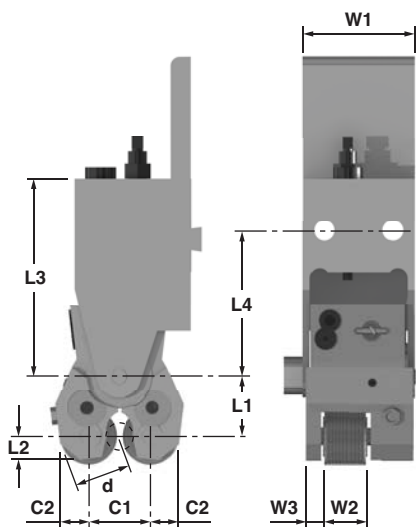


RT-10 Tangential Side Thread Rolling Attachment

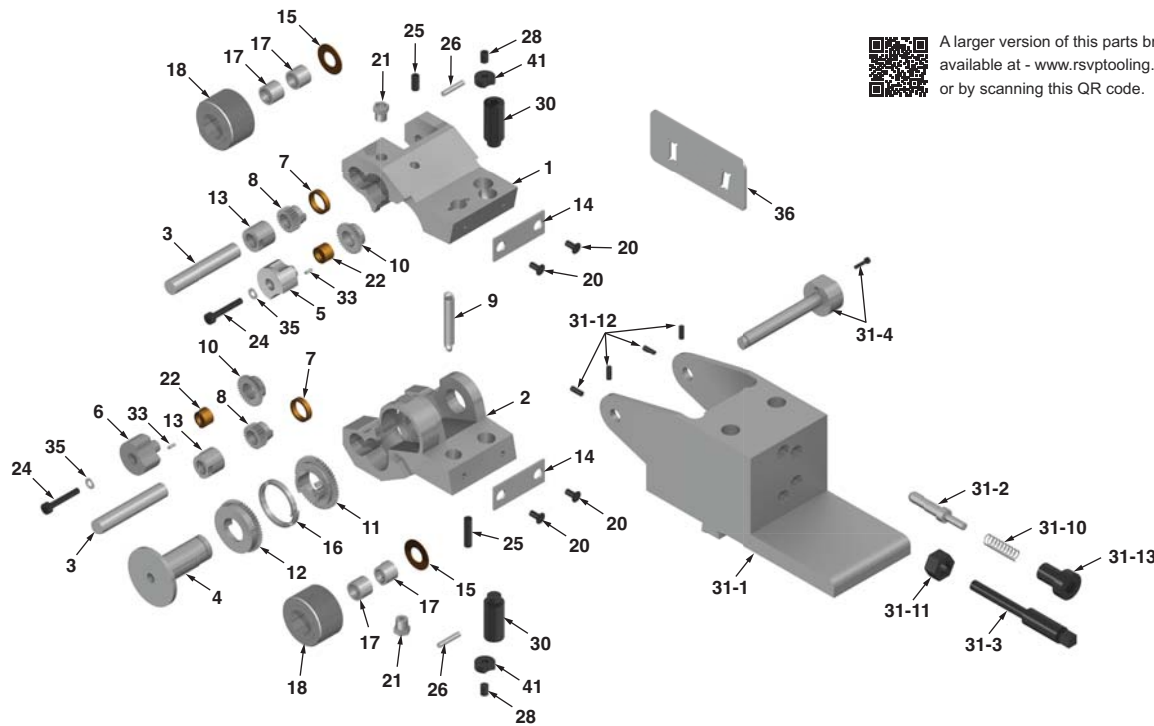


Dmax = max. shoulder diameter
 Av = Operating feed
 Dimensions above refer to cross slide mounted holder.
 Dimensions for other tool holder are adapted to the respective machine.

| Roiling Attachment | | RT10 |
|-----------------------|---------------------------------|------------------------------|
| W1 mm/inch | | 43 / 1.693 |
| W2 mm/inch | | 15.5 / 0.61 |
| W3 mm/inch | | 7.2 / 0.283 |
| L1 mm/ Inch min./max. | | 23.2 / 0.913 27.6 / 1.087 |
| L2 mm/inch | | 10 / 0.394 |
| L3 mm/inch | | 80 / 3.15 |
| C1 mm/inch min./max. | | 26.5 / 1.043 40 / 1.575 |
| C2 mm/inch | | 14/0.551 |
| d mm/inch max. | | 31.5 / 1.24 |
| L4 | | 70 / 2.756 |
| Weight Approx. (kg) | Rolling Attachment | 0.65 |
| | Rolling Attachment Holder | 0.75 |
| | Thread rolls (1 set = 2 pieces) | 0.17 |
| | Setting gauge | 0.05 |
| | Total | 1.62 |

For left hand threads, the same rolling attachment can be used as for right hand threads. Left hand threads require left hand rolls.

Component Parts Breakdown



A larger version of this parts breakdown is available at - www.rsvptooling.com/prints.html or by scanning this QR code.

| Item # | EDP | Description | Qty |
|--------|--------|----------------------------|-----|
| 1 | 10-001 | Upper Arm | 1** |
| 2 | 10-002 | Lower Arm | 1 |
| 3 | 10-003 | Shaft | 2 |
| 4 | 10-004 | Center Shaft | 1 |
| 5 | 10-005 | Bushing | 1 |
| 6 | 10-006 | Bushing | 1 |
| 7 | 10-007 | Bearing Bushing | 2 |
| 8 | 10-008 | Pinion | 2 |
| 9 | 10-009 | Tension Spring | 1 |
| 10 | 10-010 | Gear w/Bushing | 2 |
| 11 | 10-011 | Gear (assy w/12 & 16 only) | 0** |
| 12 | 10-012 | Gear w/Coil Spring | 1 |
| 13 | 10-013 | Carbide Bushing | 2 |
| 14 | 10-014 | Plate | 2 |

| Item # | EDP | Description | Qty |
|--------|----------|------------------------------|-----|
| 15 | 10-015 | Thrust Washer | 2 |
| 16 | 10-016 | Coil spring (assy w/11 & 12) | 1 |
| 17 | 10-017 | Bushing | 4 |
| 20 | 10-020 | Flat Head Scr. | 4 |
| 21 | 10-021 | Grease Nipple | 2 |
| 22 | 10-022 | Bearing Bushing | 2 |
| 24 | 10-024 | Cap Screw | 2 |
| 25 | 10-025 | Cap Screw | 2 |
| 26 | 10-026 | Straight Pin | 2 |
| 27 | 10-027 | Set Screw | 1 |
| 28 | 10-028 | Set Screw | 2 |
| 30 | 10-030 | Adj. Set Screw | 2 |
| 31 | 10-031 | Attachment Holder Complete | 1* |
| 31-1 | 10-031-1 | Housing | 1* |

| Item # | EDP | Description | Qty |
|--------|-----------|-------------------|-----|
| 31-2 | 10-031-2 | Spring Loded Bolt | 1 |
| 31-3 | 10-031-3 | Stop Bolt | 1 |
| 31-4A | 10-031-4A | Bolt | 1 |
| 31-4B | 10-031-4B | Bolt | 1 |
| 31-10 | 10-031-10 | Thrust Spring | 1 |
| 31-11 | 10-031-11 | Hex Nut | 1 |
| 31-12 | 10-031-12 | Set Screw | 2 |
| 31-13 | 10-031-13 | Cap Screw | 1 |
| 32 | 10-032 | Setting Gauge | 1* |
| 33 | 10-033 | Slotted Pin | 2 |
| 35 | 10-035 | Schnorr Clip | 2 |
| 36 | 10-036 | Sheet Metal Gauge | 1 |
| 41 | 10-041 | Lock Washer | 2 |

Sold as an assembly only

*(#1 & #2 Arm Assy) (#11, 12 & 16 gear w/Coil Spring Assy)

† Per Application