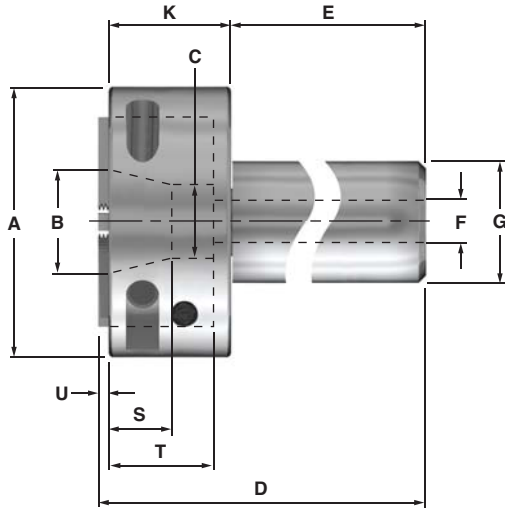


## SAMN Geometric Head

Compact solid adjustable for limited clearance applications



Head EDP	Size	Head EDP	Size	Head EDP	Size	Head EDP	Size
7300	0	7302	17/32-3/4	7304	1-1/32-1-1/4	7306	1-17/32-1-3/4
7301	0-1/2	7303	25/32-1	7305	1-9/32-1-1/2	7307	1-25/32-2

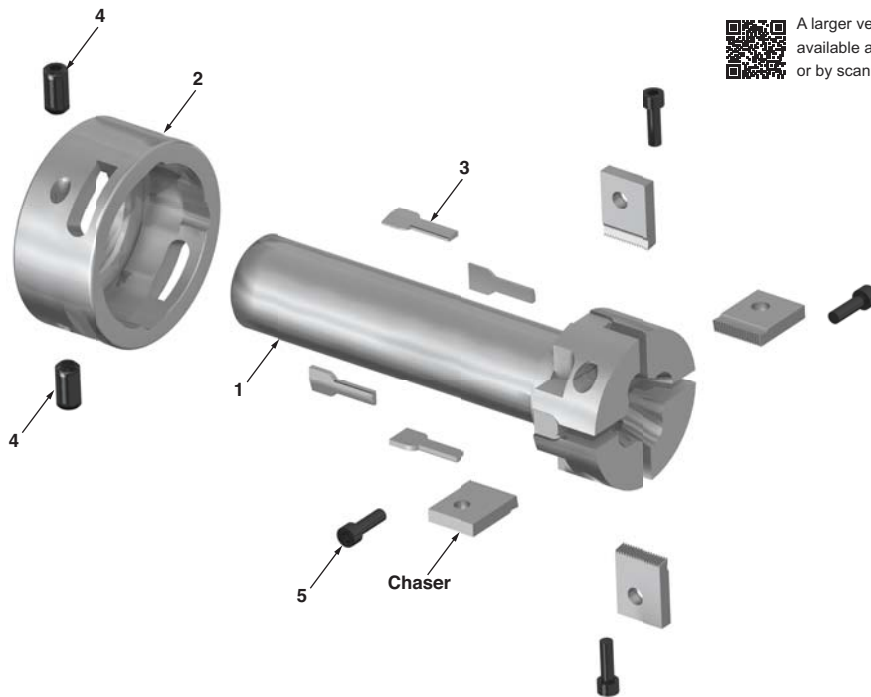


### SAMN Geometric Head Dimensions

EDP	Size of Diehead		A	B	C	D	E
7300	0	IN.	1.75	0.62	0.41	2.77	1.69
7301	0-1/2	IN.	2.22	0.69	0.56	5.12	4
7302	17/32-3/4	IN.	2.5	0.94	0.81	5.25	4
7303	25/32-1	IN.	2.88	1.19	1.06	5.25	4
7304	1-1/32-1-1/4	IN.	3.13	1.44	1.31	5.25	4
7305	1-9/32-1-1/2	IN.	3.38	1.69	1.56	5.25	4
7306	1-17/32-1-3/4	IN.	3.63	1.81	1.81	5.25	4
7307	1-25/32-2	IN.	3.88	2.06	2.06	5.25	4

EDP	Size of Diehead	F	G	K	S	T	U
7300	0	0.41	0.63	1.02	0.56	0.83	0.06
7301	0-1/2	0.56	1	1	0.5	0.81	0.12
7302	17/32-3/4	0.5	1.25	1.12	0.5	0.94	0.12
7303	25/32-1	0.5	1.5	1.12	0.5	0.94	0.12
7304	1-1/32-1-1/4	0.5	1.5	1.12	0.5	0.94	0.12
7305	1-9/32-1-1/2	0.5	1.5	1.12	0.5	0.94	0.12
7306	1-17/32-1-3/4	0.75	2	1.12	—	0.94	0.12
7307	1-25/32-2	0.75	2	1.12	—	0.94	0.12

### Component Parts Breakdown



A larger version of this parts breakdown is available at - [www.rsypooling.com/prints.html](http://www.rsypooling.com/prints.html) or by scanning this QR code.

Item#	Description	Unit Reqd	0		0-1/2		17/32-3/4		25/32-1		1-1/32-1-1/4		1-9/32-1-1/2		1-17/32-1-3/4		1-25/32-2	
			EDP No.	EDP No.	EDP No.	EDP No.	EDP No.	EDP No.	EDP No.	EDP No.	EDP No.	EDP No.	EDP No.	EDP No.	EDP No.			
1	Body assembly	1	S1693	S2372	S2374	S2376	S2378	S2380	S2382	S2384								
2	Cup assembly	1	S1694	S2373	S2375	S2377	S2379	S2381	S2383	S2385								
3	Chaser Insert	4	S1706	S2415	S2419	S2419	S2419	S2419	S2419	S2419								
4	Adjusting Screw	2	S1707	S1707	S2420	S2424	S2428	S2428	S2428	S2428								
5	Chaser Screw	4	S1708	S2416	S2421	S2425	S2429	S2429	S2434	S2434								