

Burnishing Tool SET 520



Features

- Tool head is variably adjustable
- Tool with universal application
- Swivel range $\pm 90^\circ$
- Thanks to the adjustability of the tool head, it is possible to burnish plane surfaces, conical, convex and concave geometries
- Application up to a shoulder

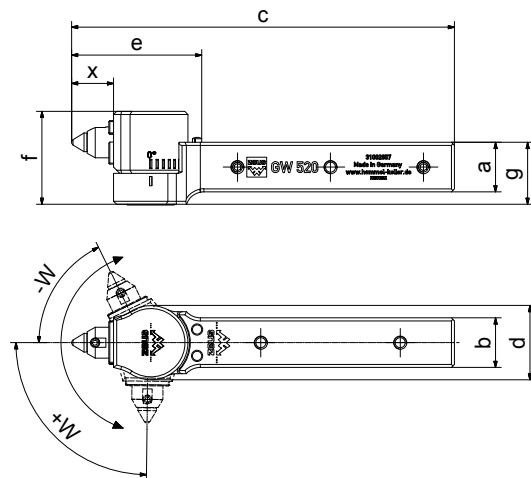
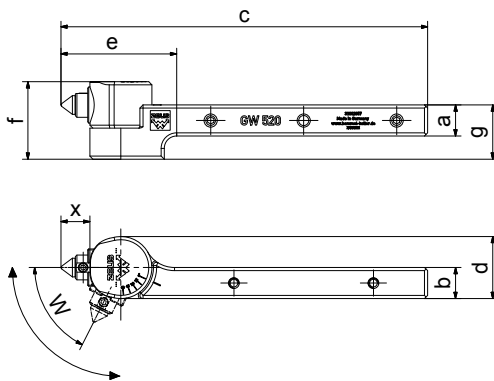
Recommendations

- Burnishing speed up to 200 m/min
- Feed rate up to 0.2 mm/U
- Workpiece measurement from 0.01 mm ($\sim R_z 10$) and 0.02 mm ($\sim R_z 20$)
- It is recommended to use a cooling lubricant

TOOL VERSIONS

Order No.	Tool holder designation	Basic shaft [mm]	Dimensions [mm]									Angle [°]		Including shaft adapter [mm]
			a	b	c	d	e	f	g	x	+w	-w		
31002893	520-10R	10 x 10	10	10	118.5	20	36	25	17.5	9	75	-	12 x 12	
													16 x 16	
31002857	520-16U	16 x 16	16	16	123.5	24	42	30	20	13.5	90	90	20 x 20	
													25 x 25	

Sets delivered without diamond tip



DIAMOND TIP VERSIONS

Order No.	Tip radii [mm]
06TGW0008	0.4
06TGW0009	0.6
06TGW0010	0.8
06TGW0011	1.0

